

DB511.E

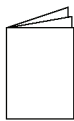
DOLPHIN BLUE 126MM ELECTRONIC CISTERN AND FRAME

ASSEMBLY INSTRUCTIONS



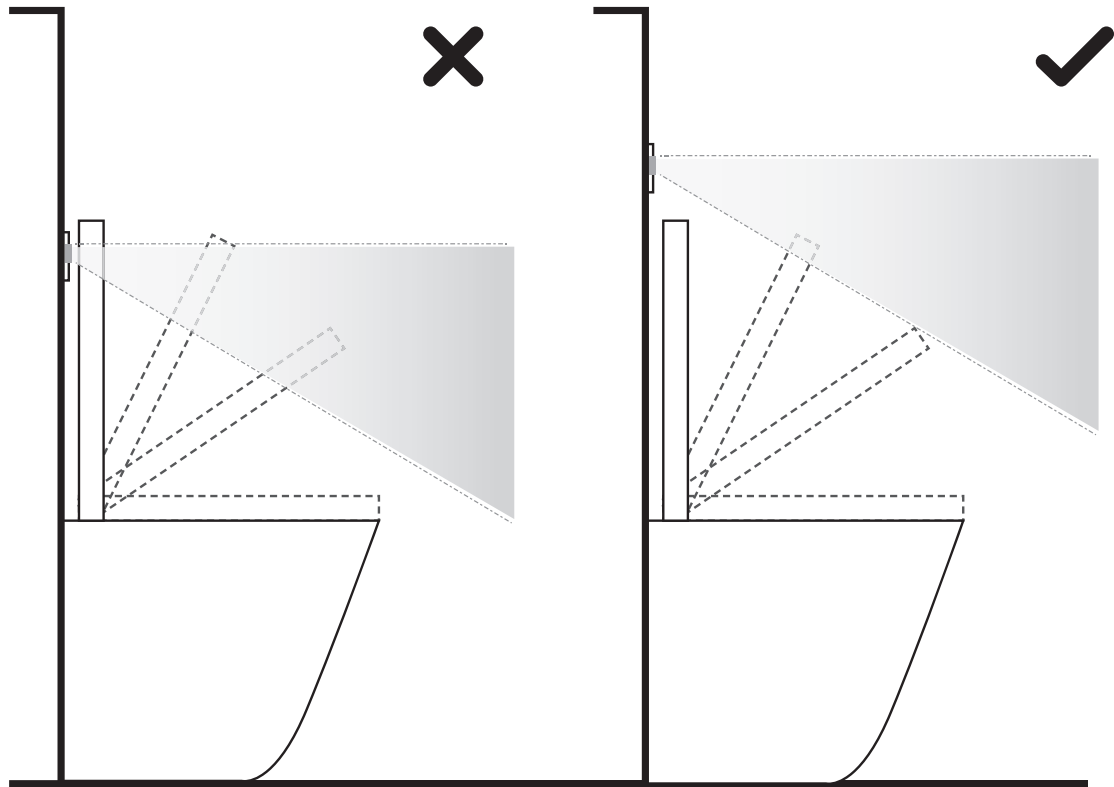
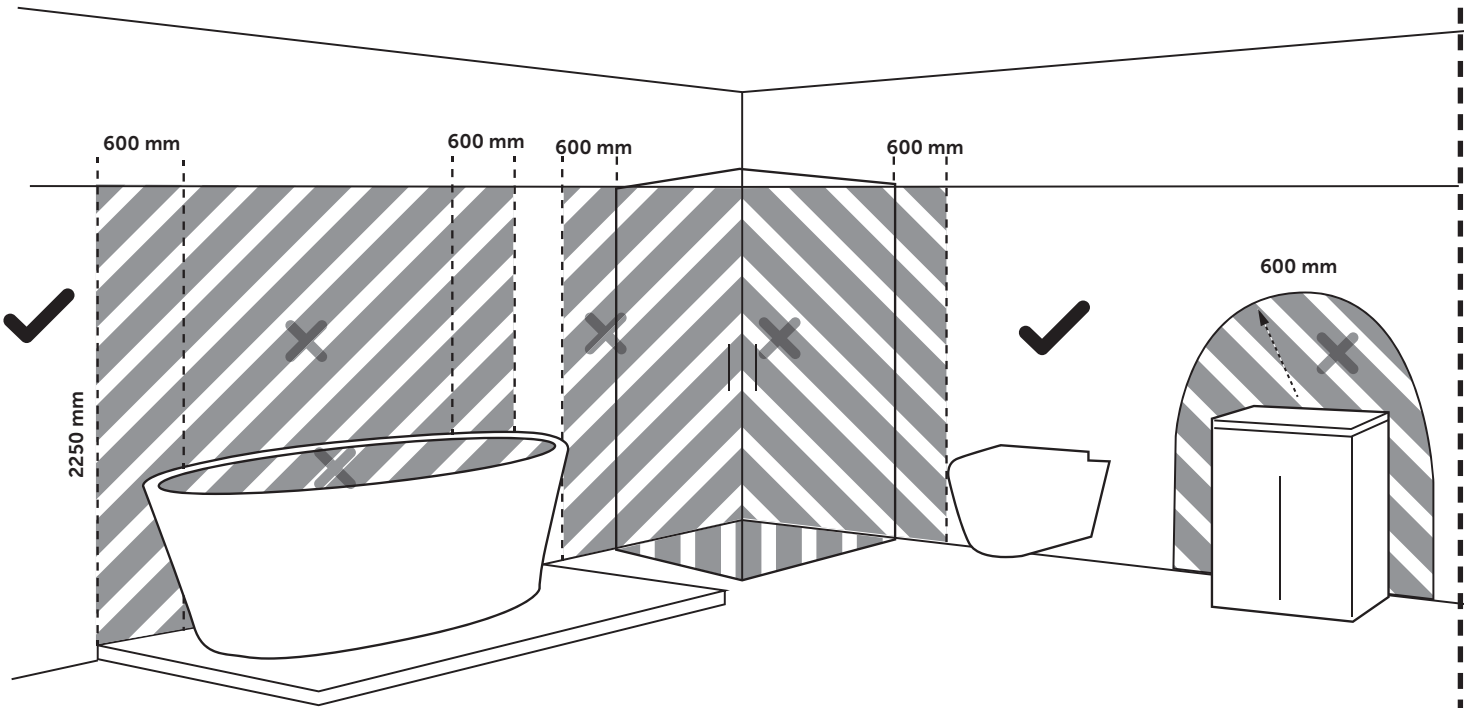
September 2022

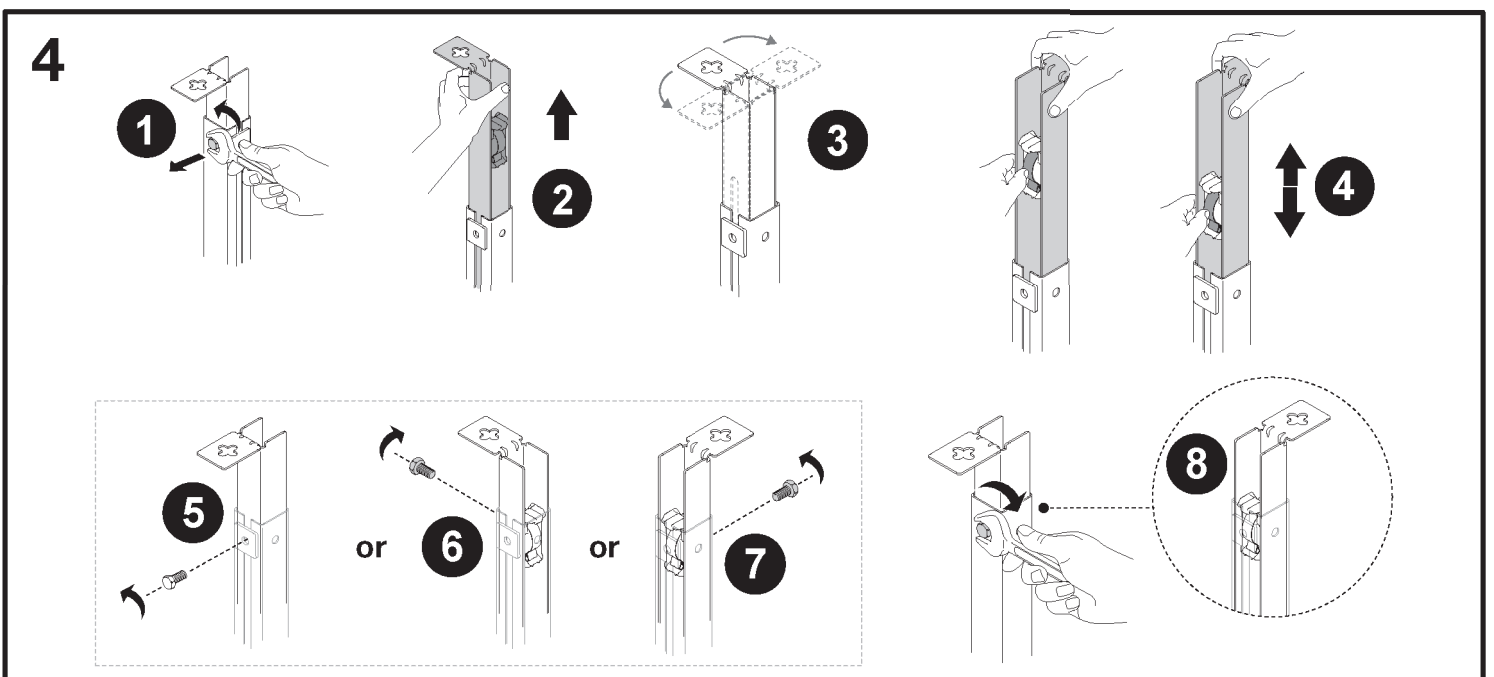
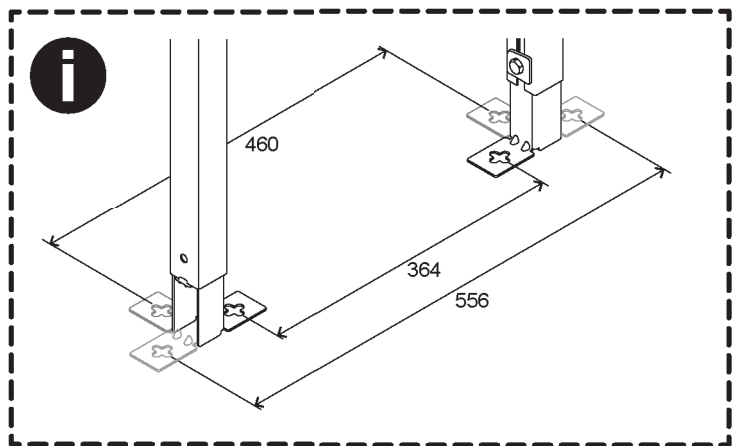
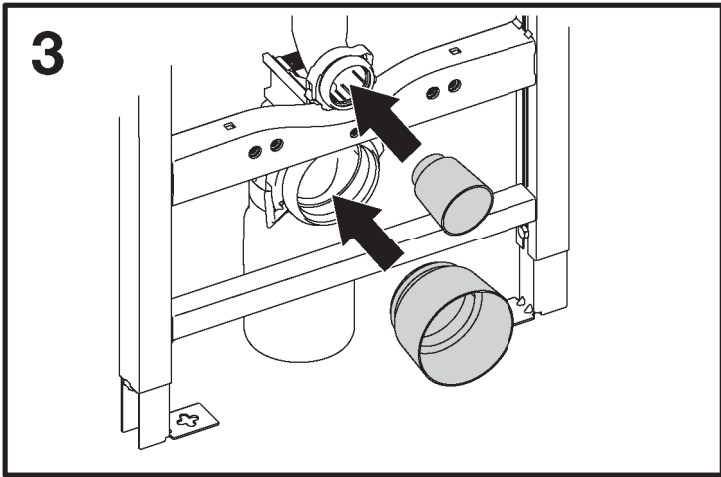
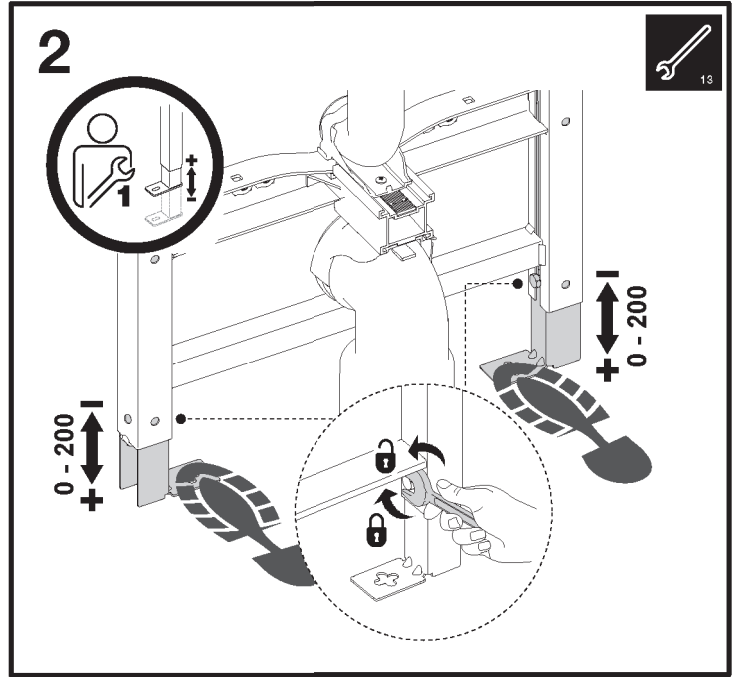
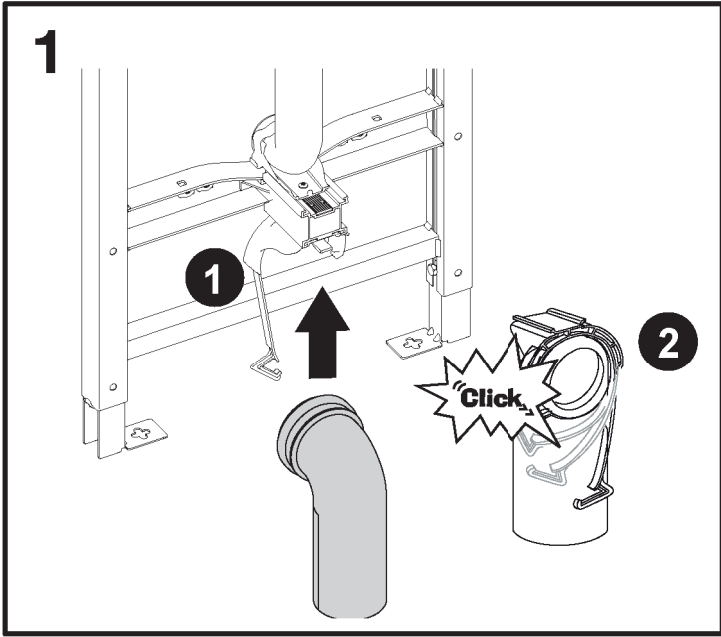

DOLPHIN
BLUE



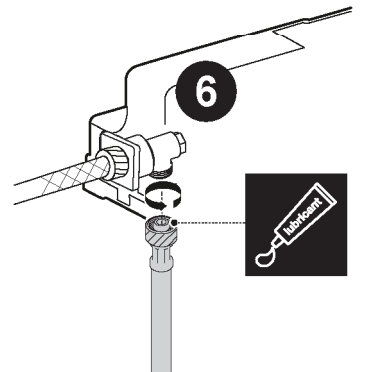
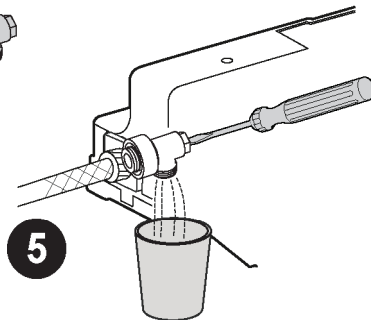
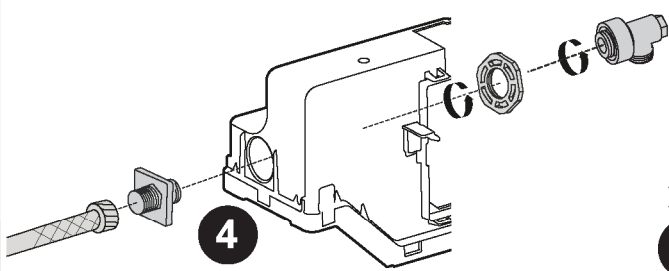
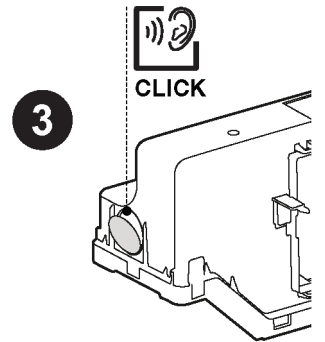
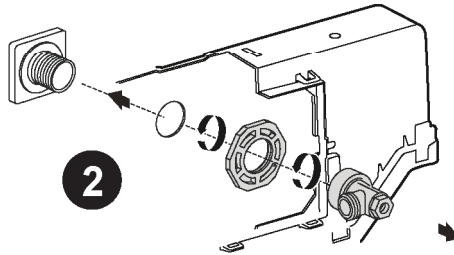
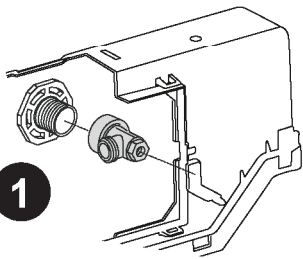
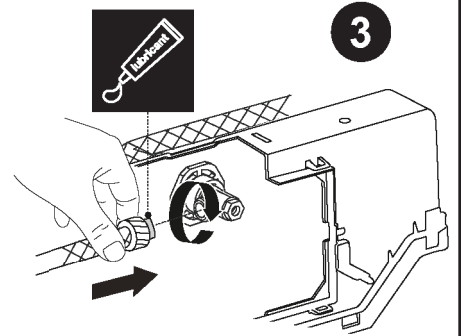
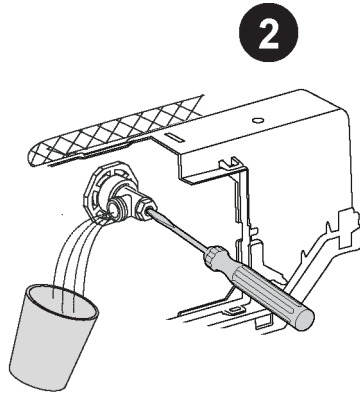
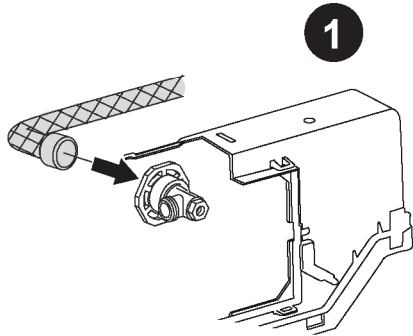


INSTALLATION ZONE

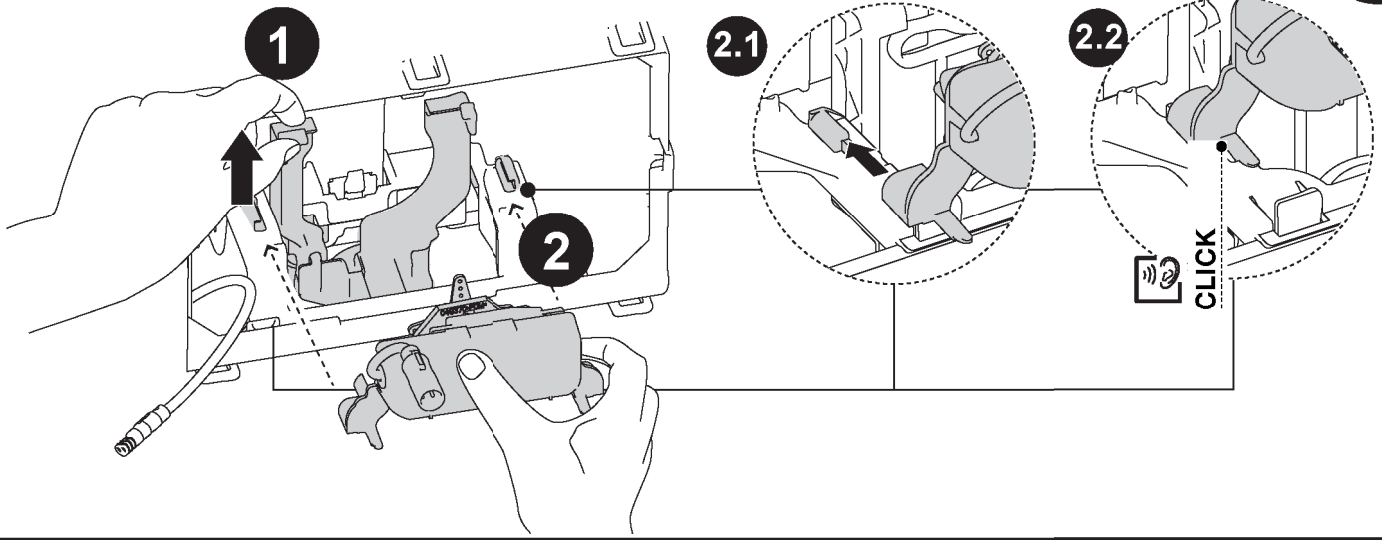




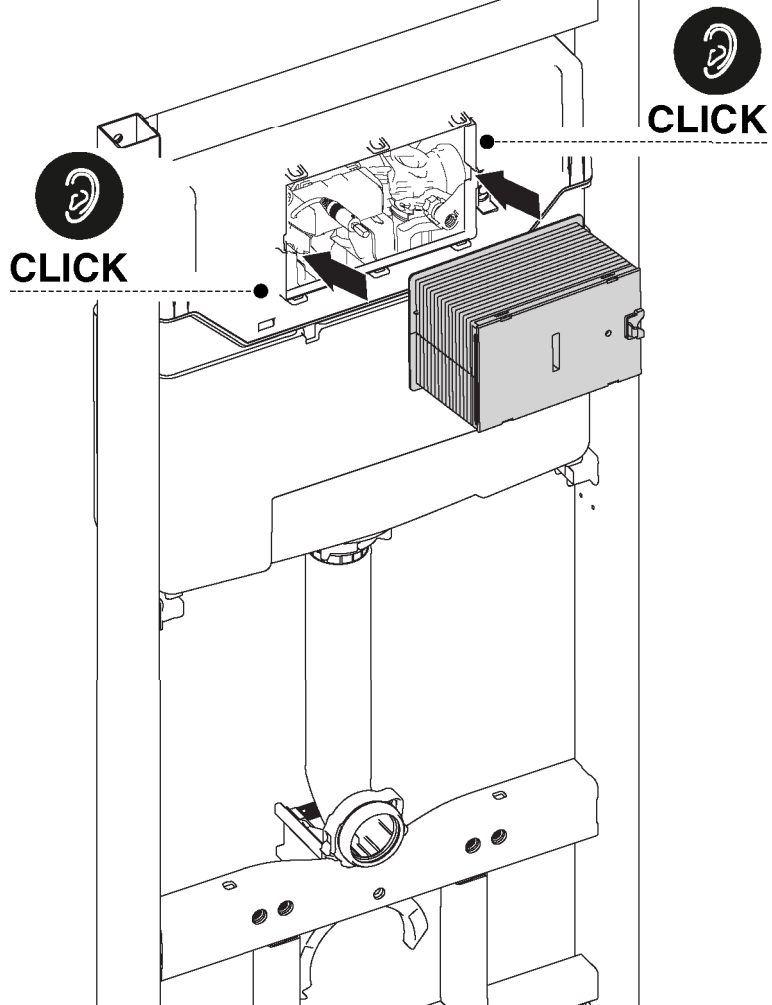
5



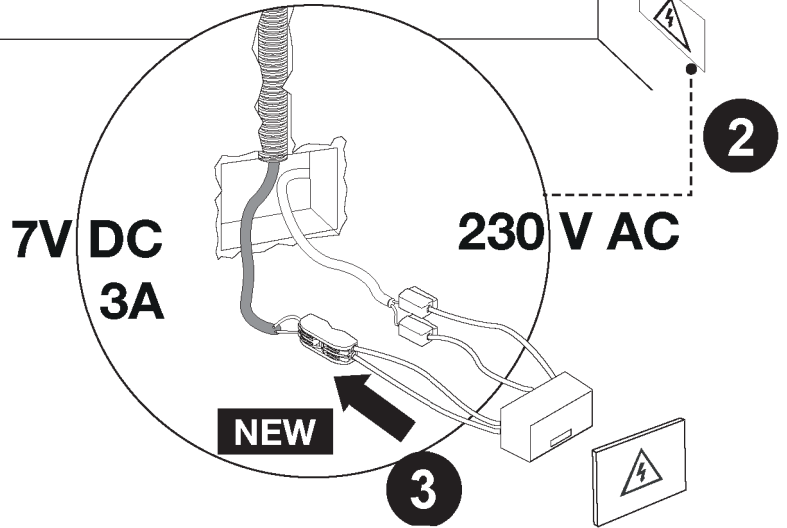
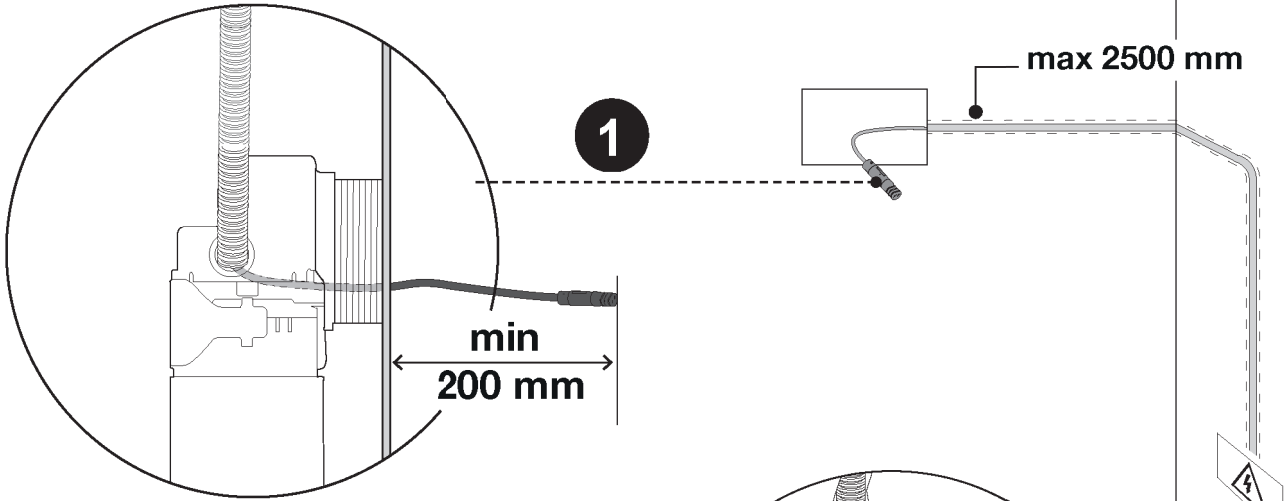
6



7



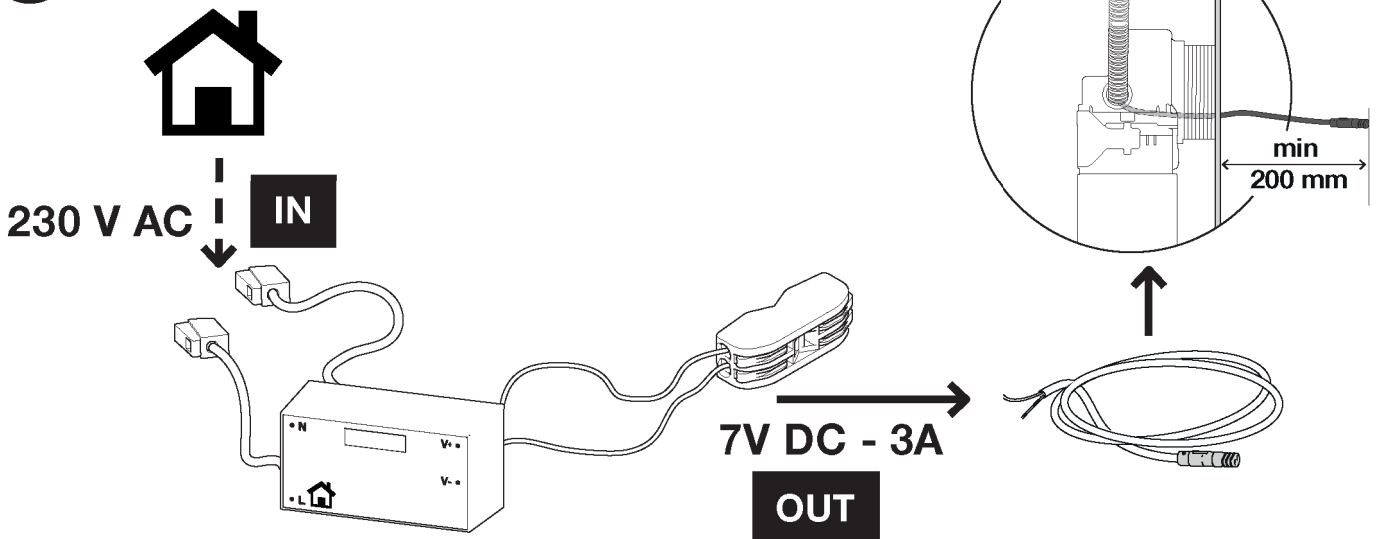
8

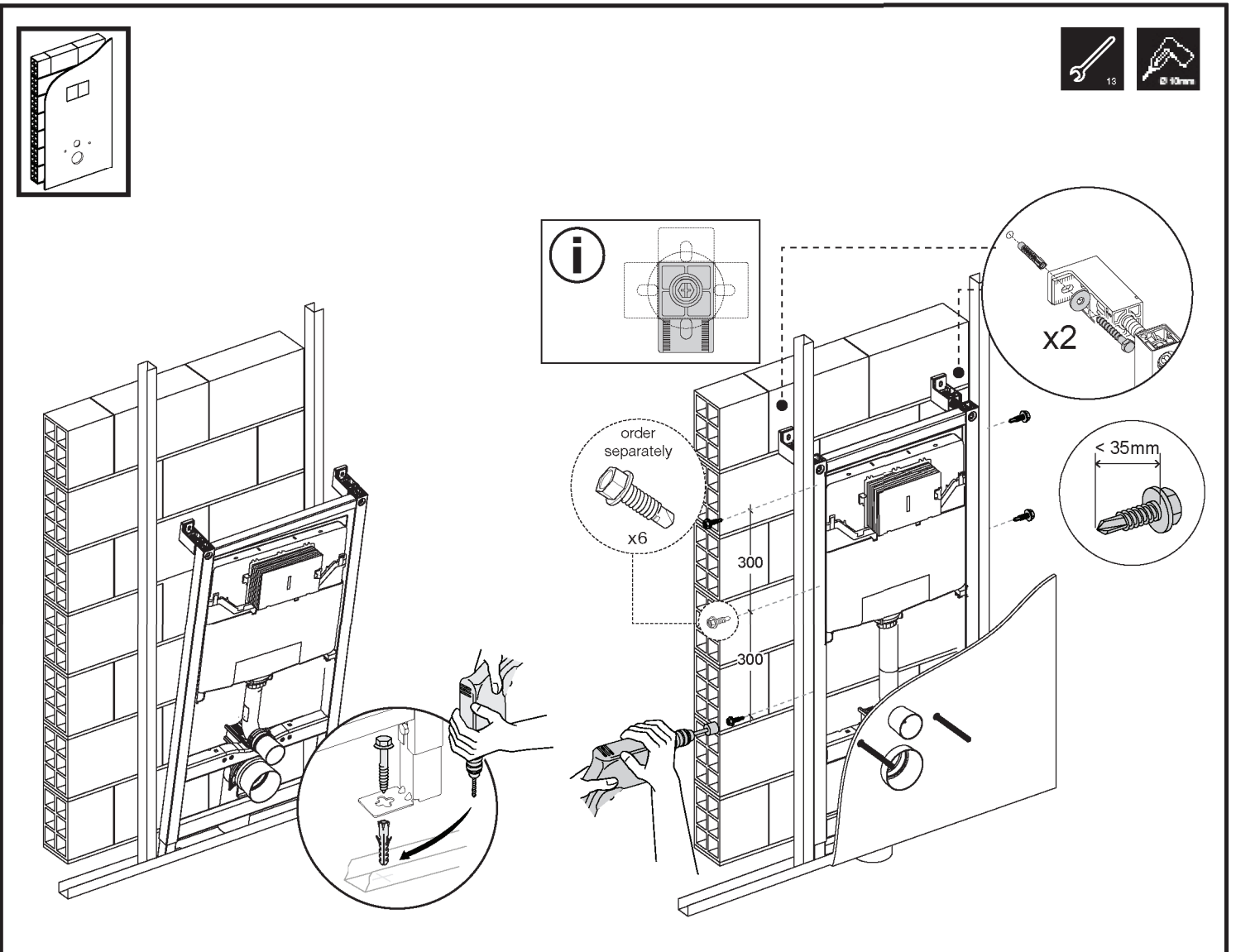
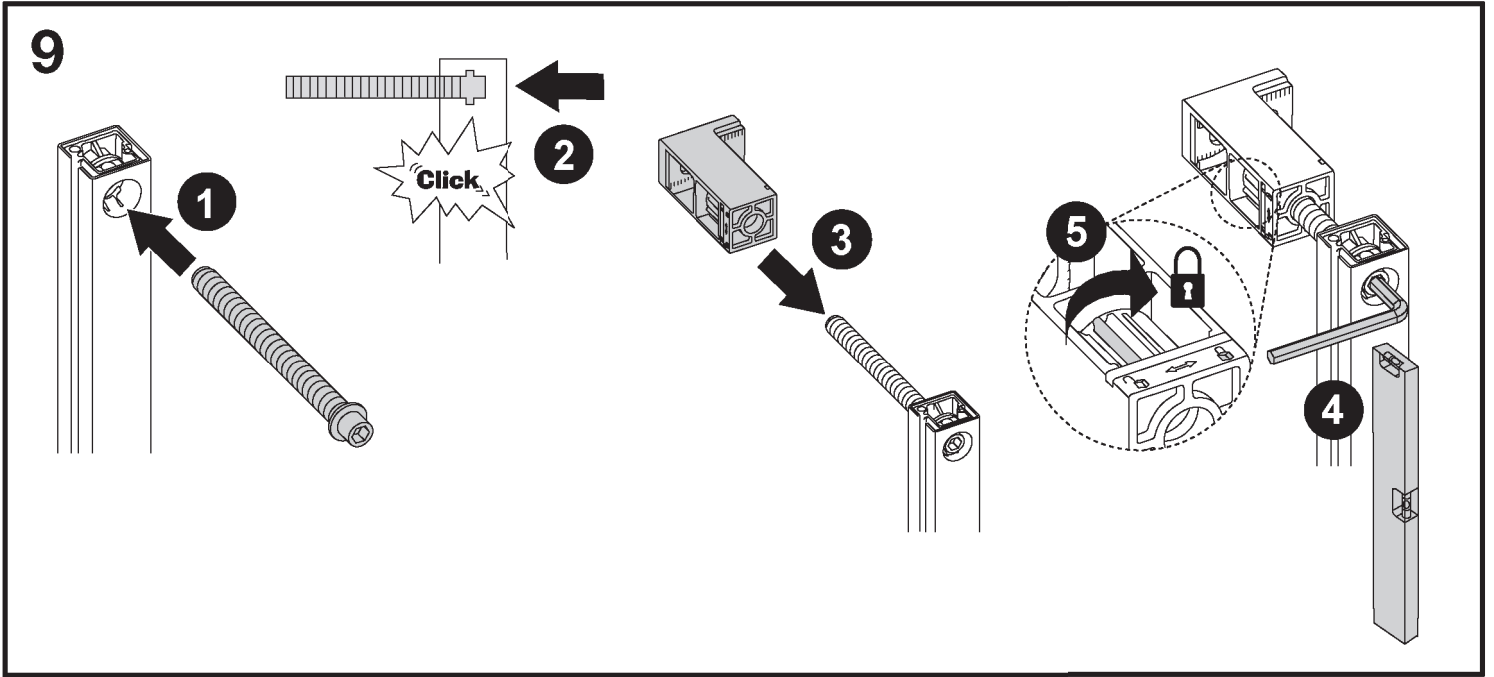


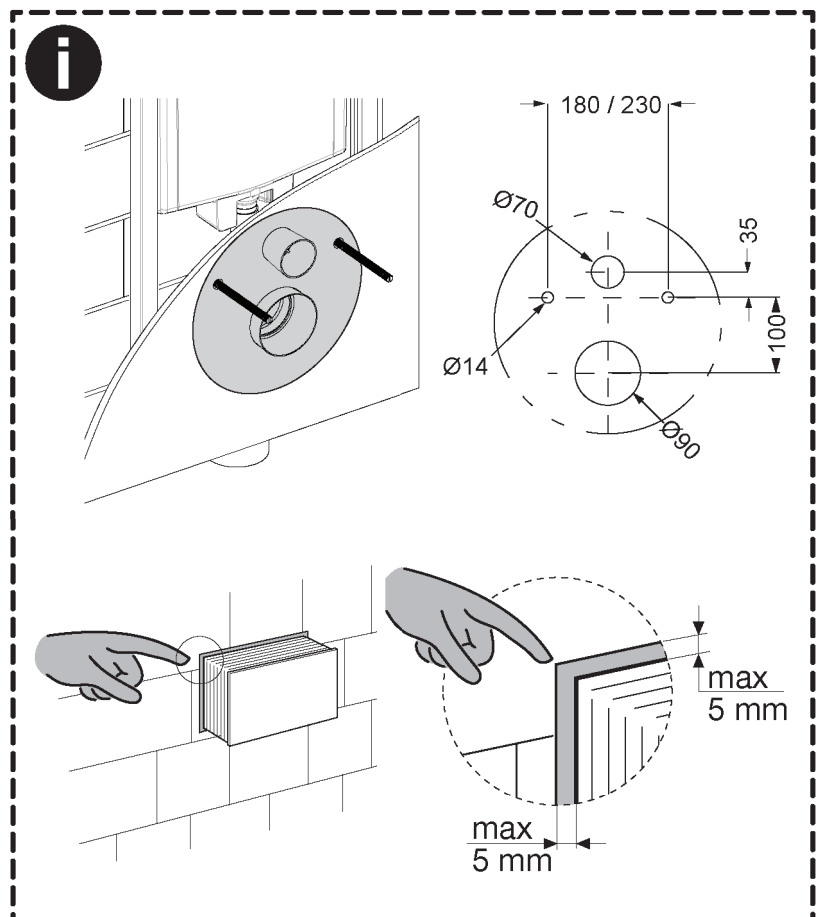
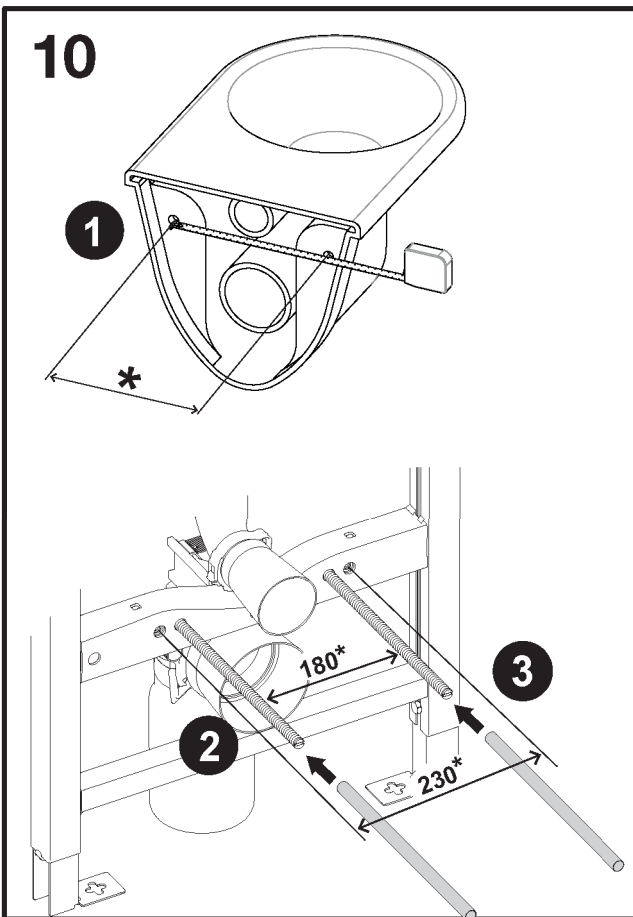
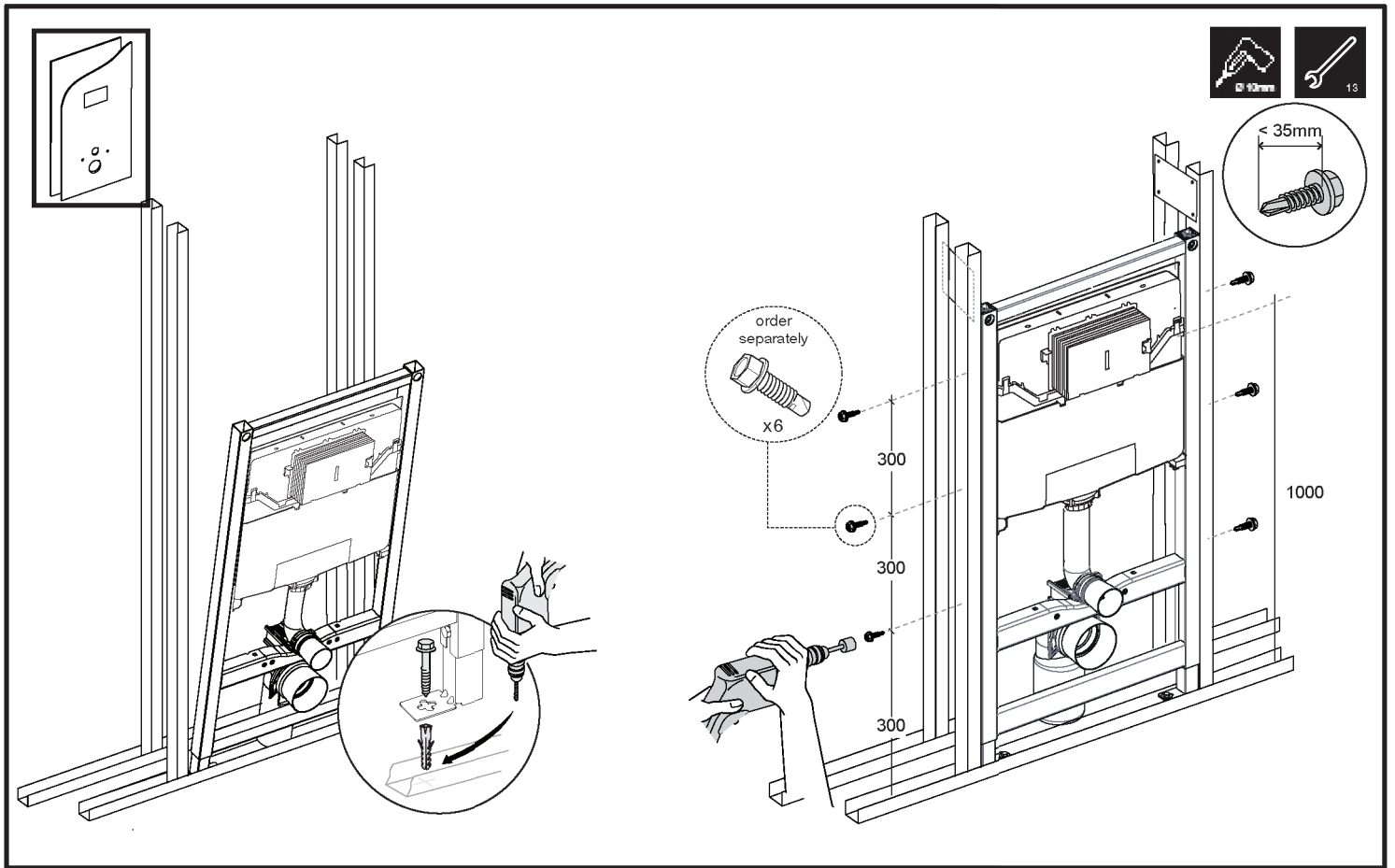
25612



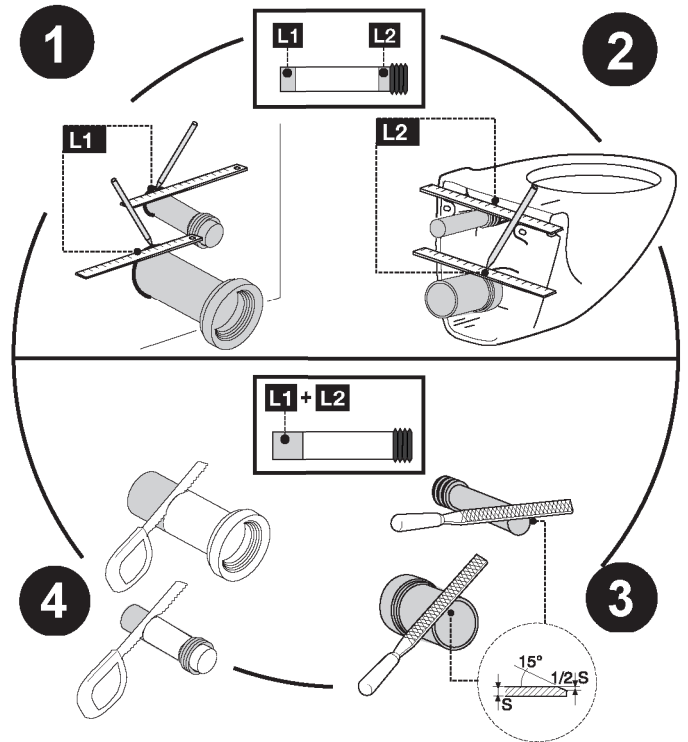
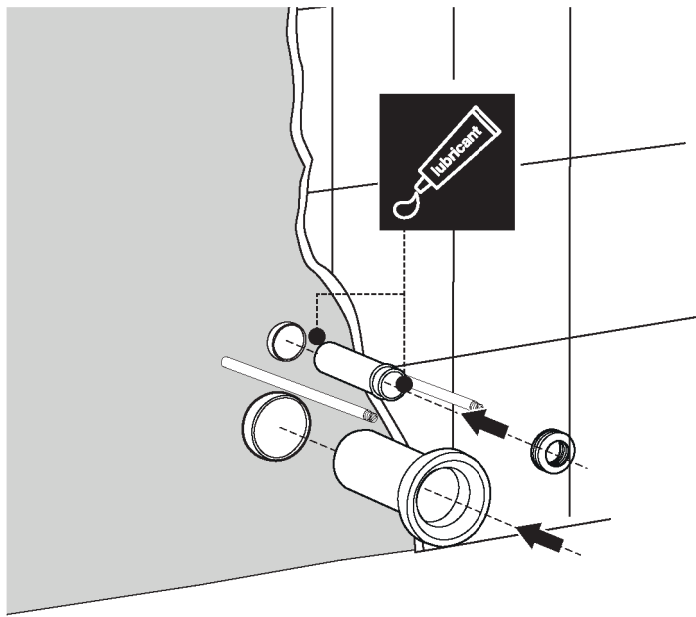
Power Supply Unit included with the DB557x.E Electronic Flush Plate kit'. Contact Dolphin if PSU is required prior to receiving the Flush Plate



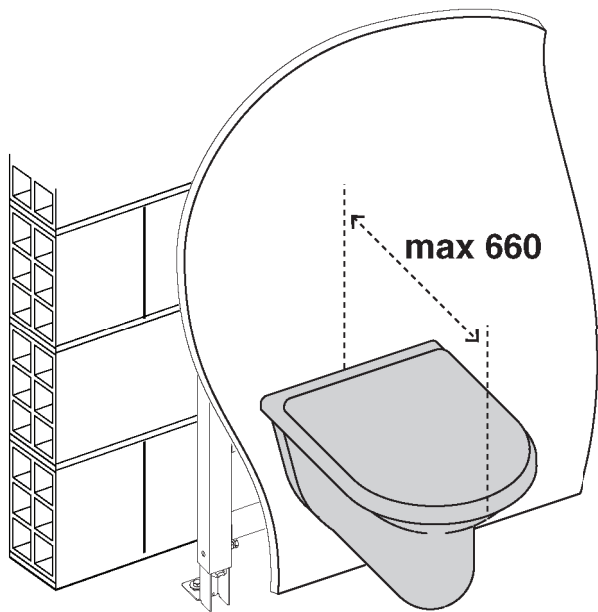




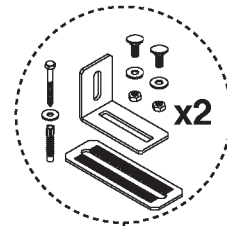
11



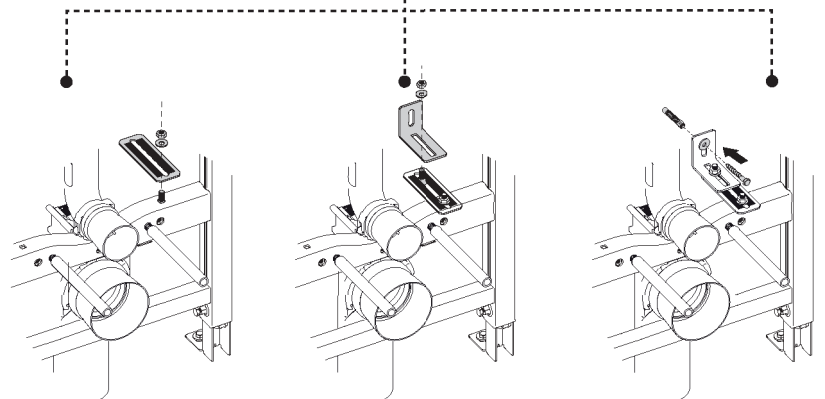
i



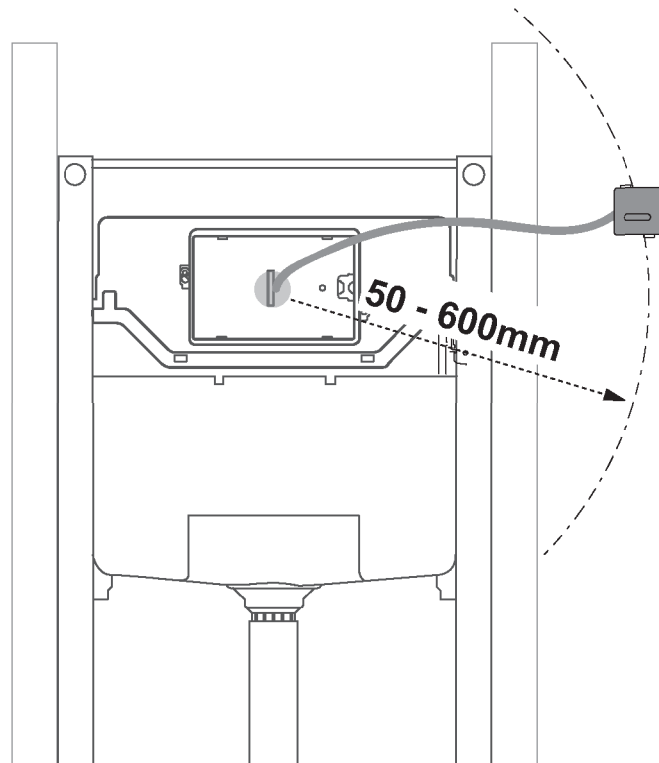
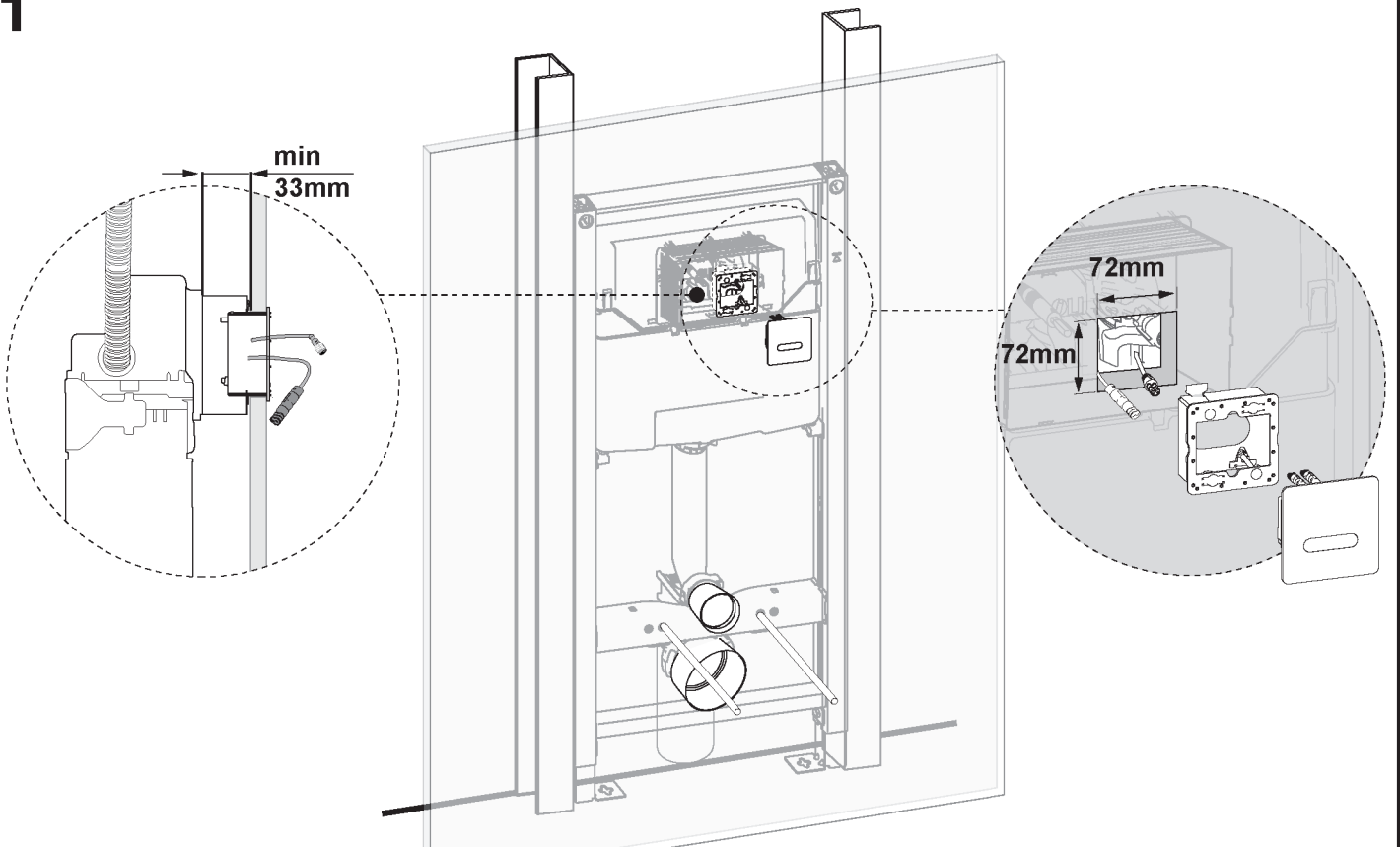
> 660

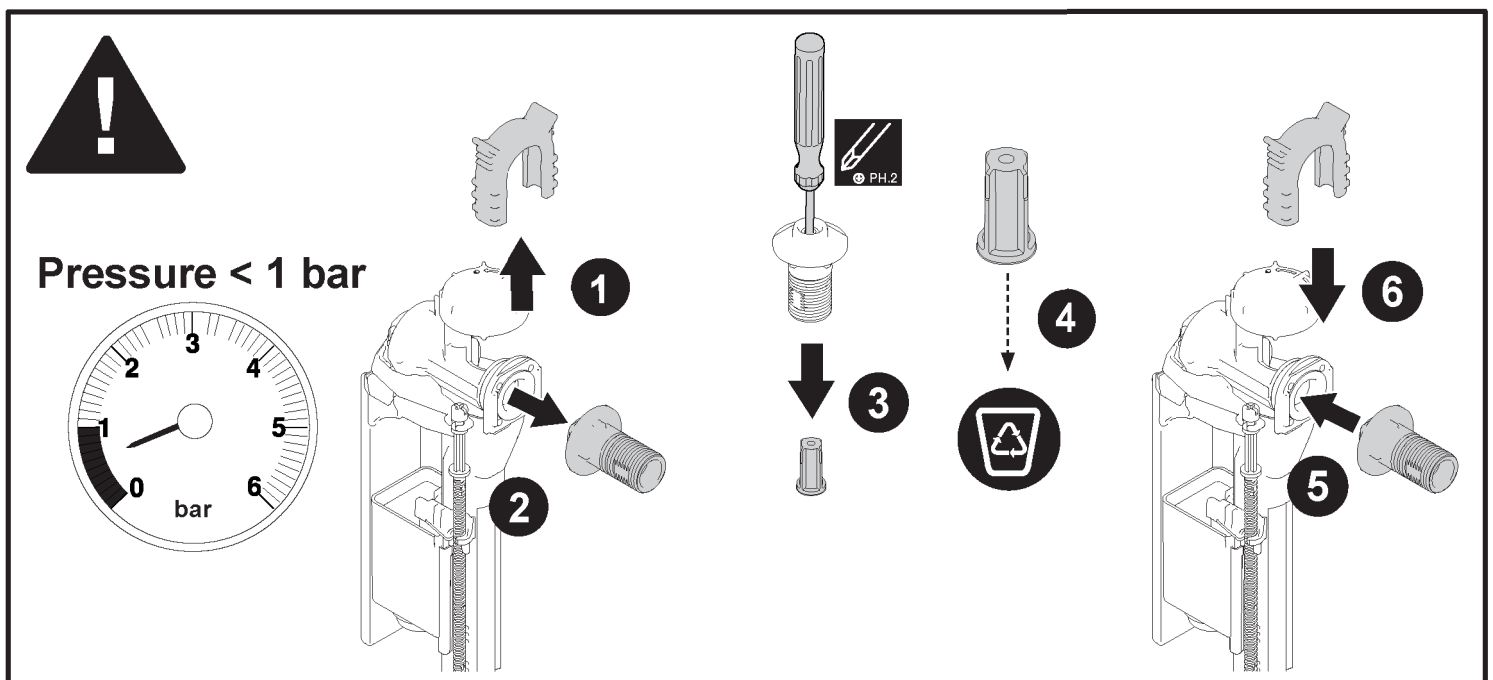
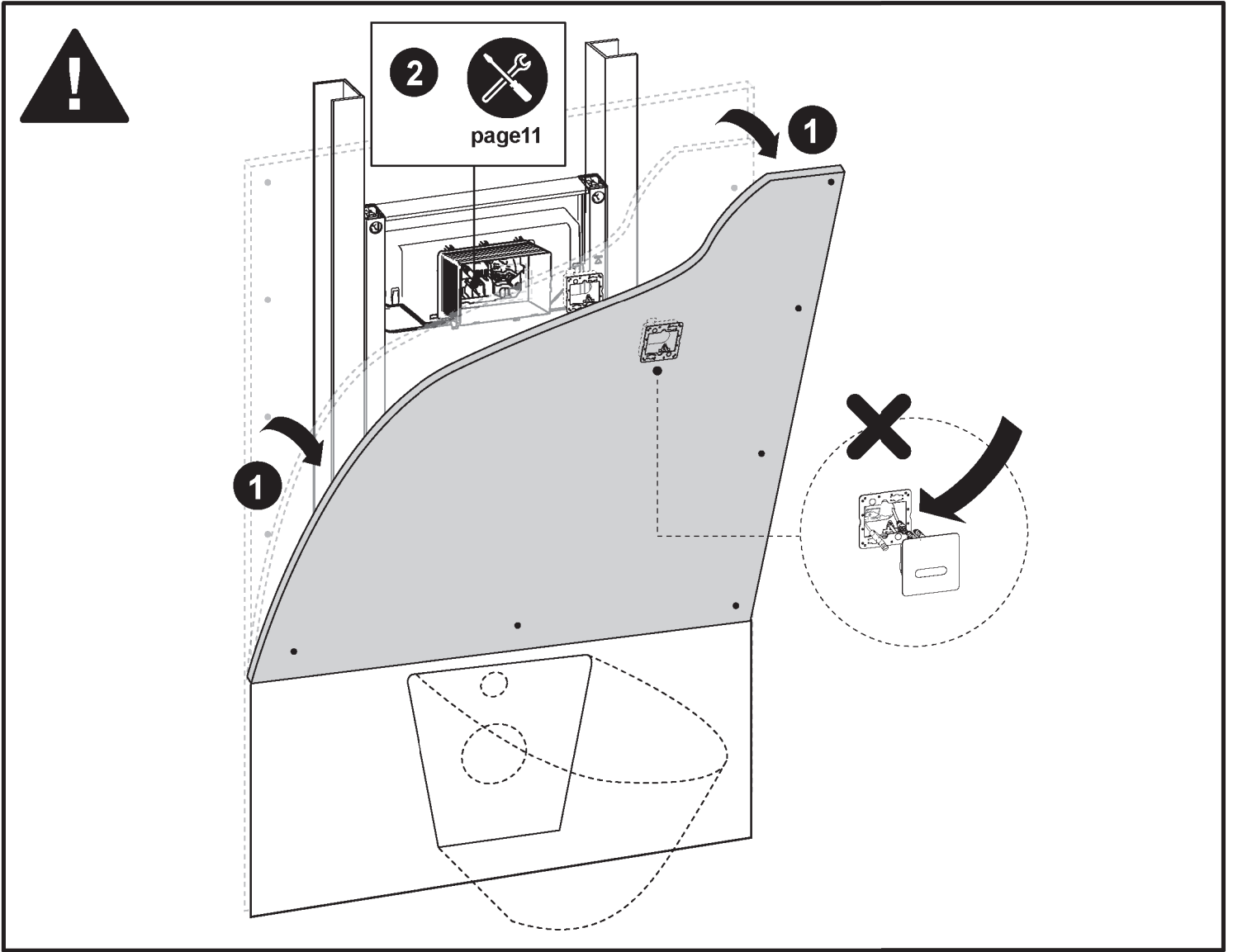


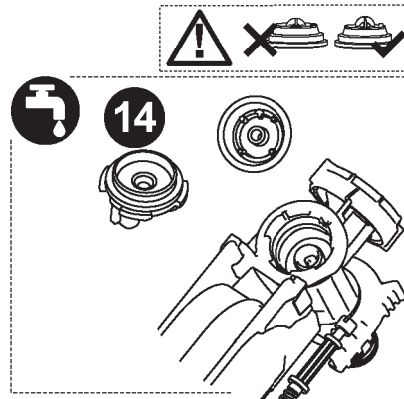
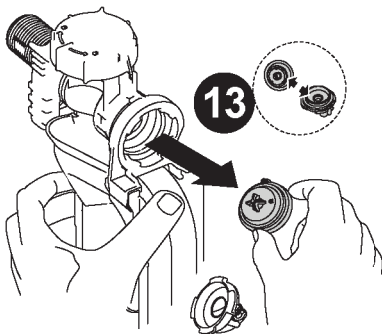
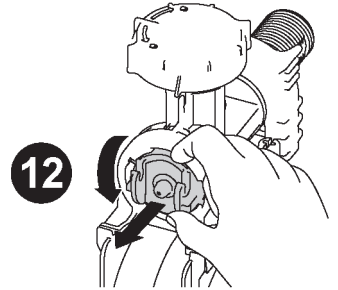
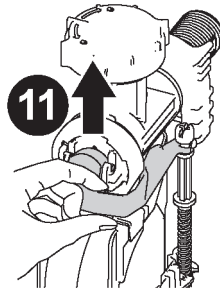
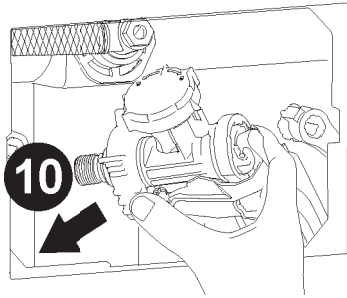
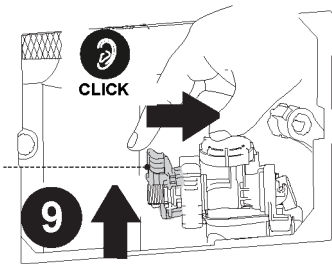
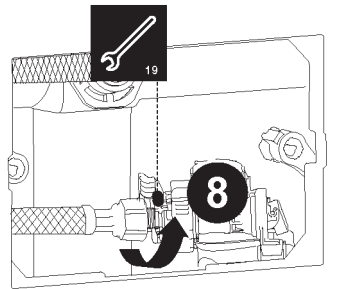
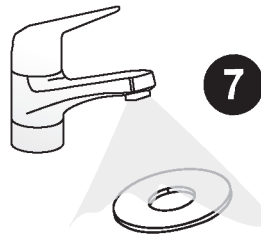
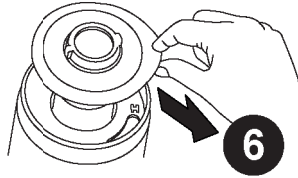
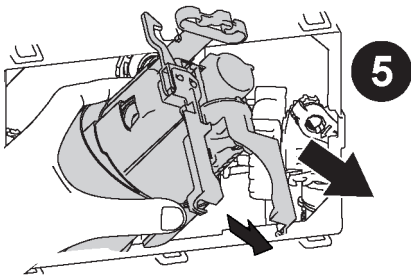
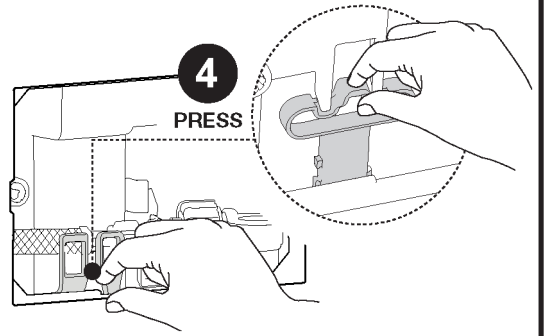
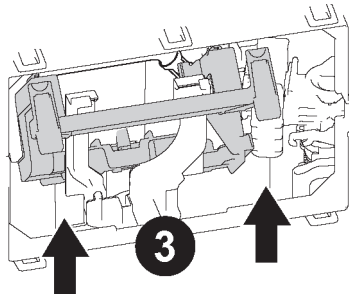
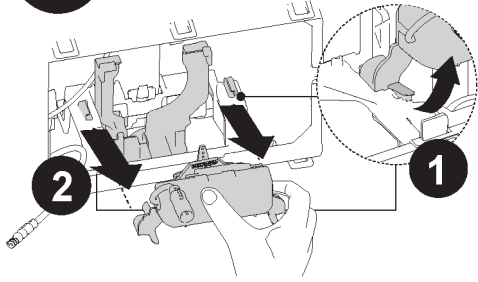
25741



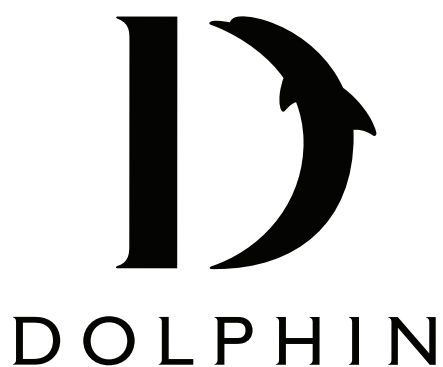
11







CHECK



Dolphin Solutions Ltd

Southpoint, Compass Park, Bodiam,
Robertsbridge, TN32 5BS

Tel: +44 (0)1424 20 22 24

Fax: +44 (0)1424 205 200

info@dolphinsolutions.co.uk

www.dolphinsolutions.co.uk