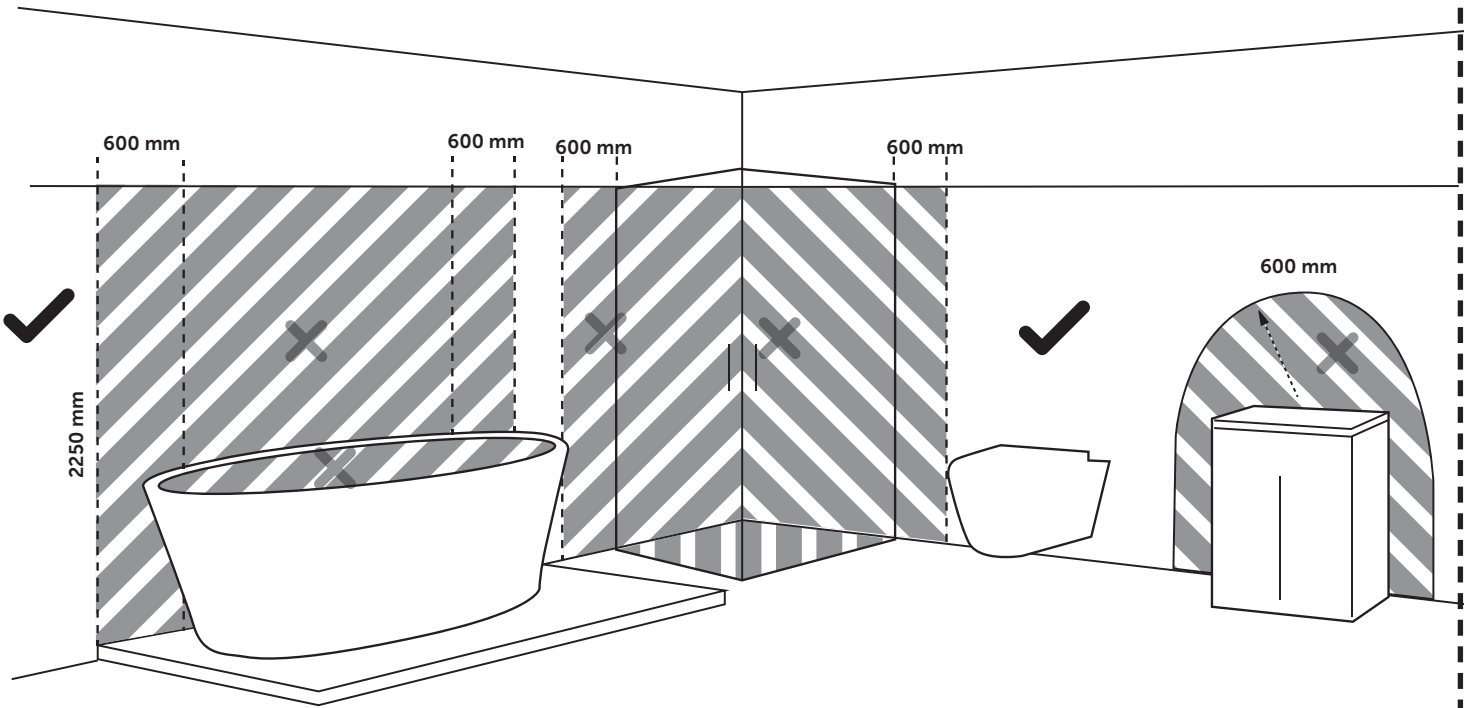


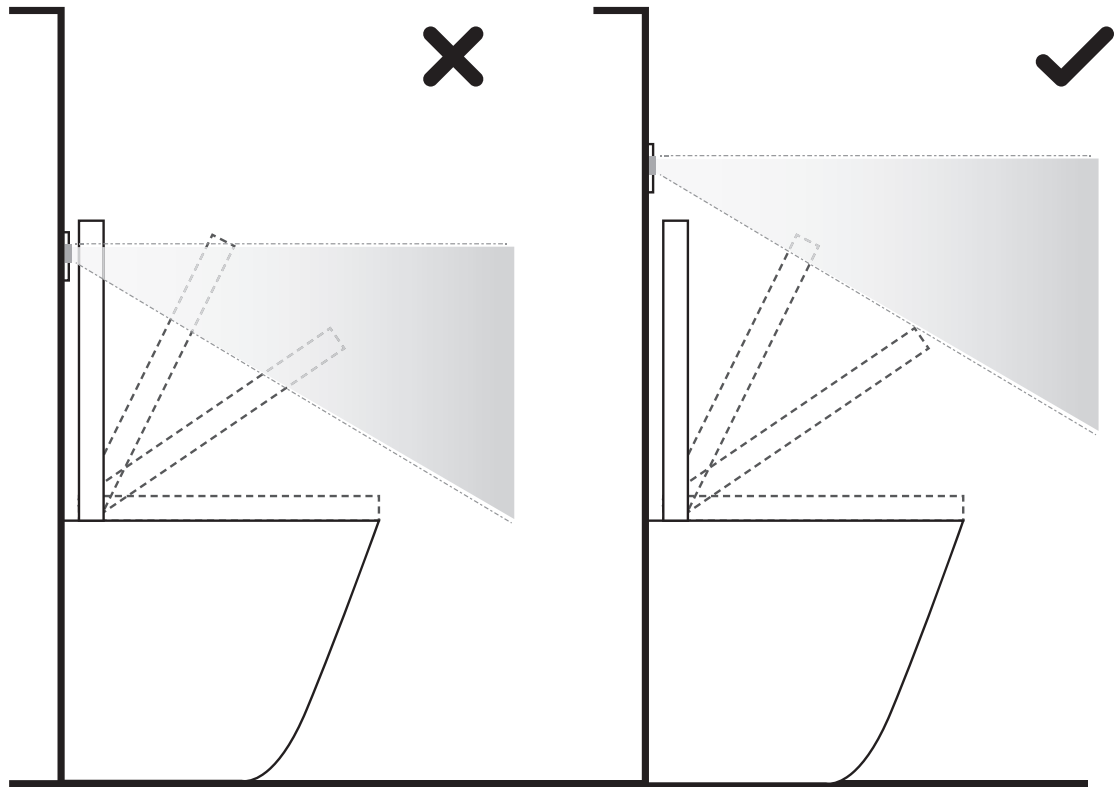


INSTALLATION ZONE

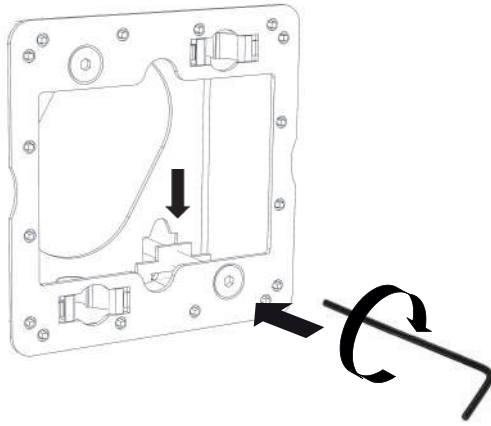


✓ OK

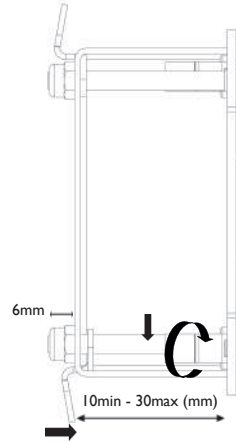
✗ NO



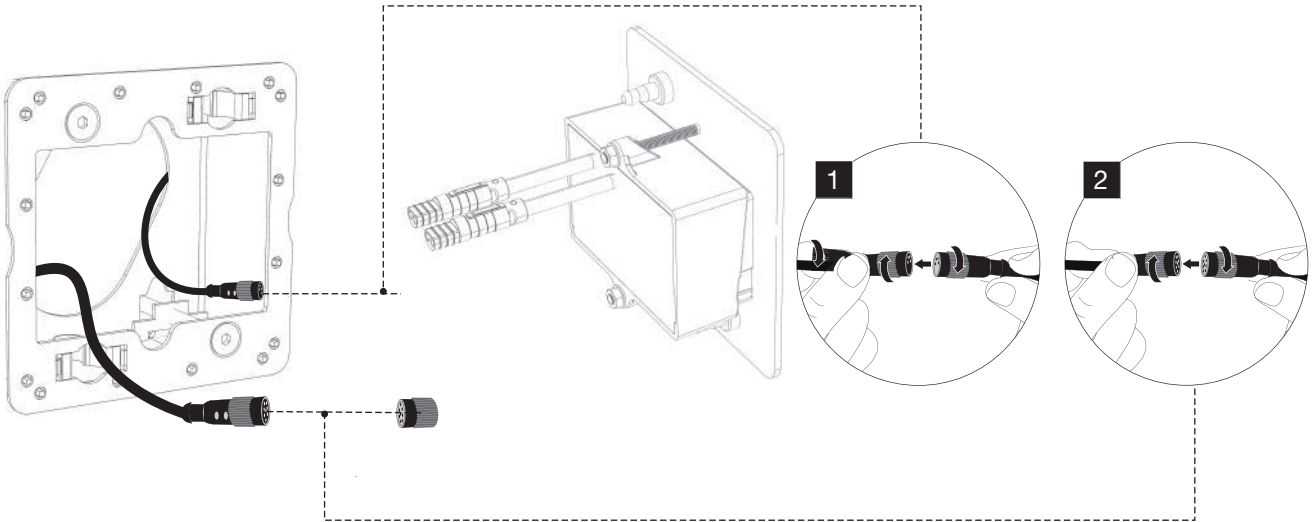
2



x 2 



3



4

