

DB5510.E

DOLPHIN BLUE 126MM ELECTRONIC CISTERN – NO FRAME

ASSEMBLY INSTRUCTIONS



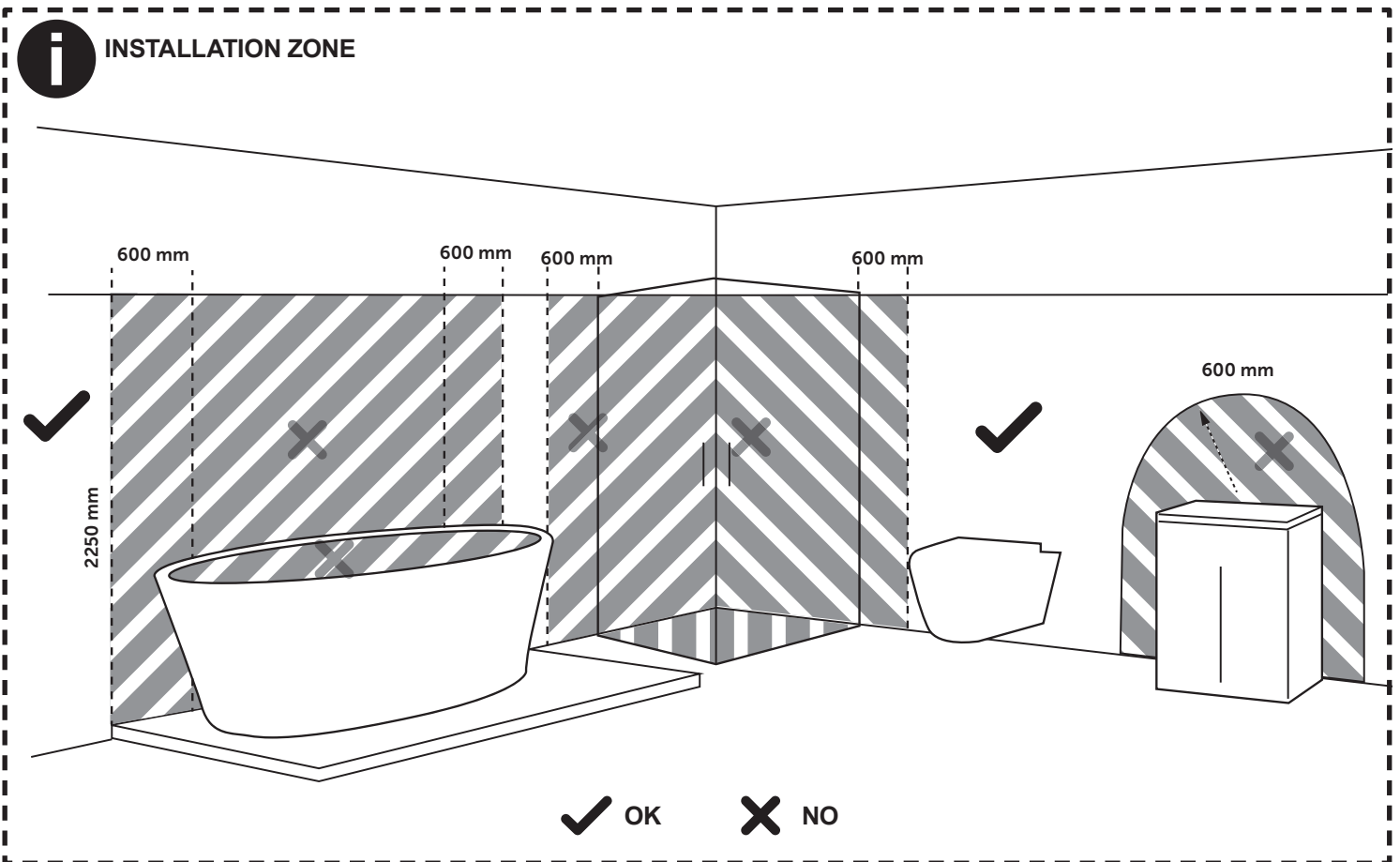
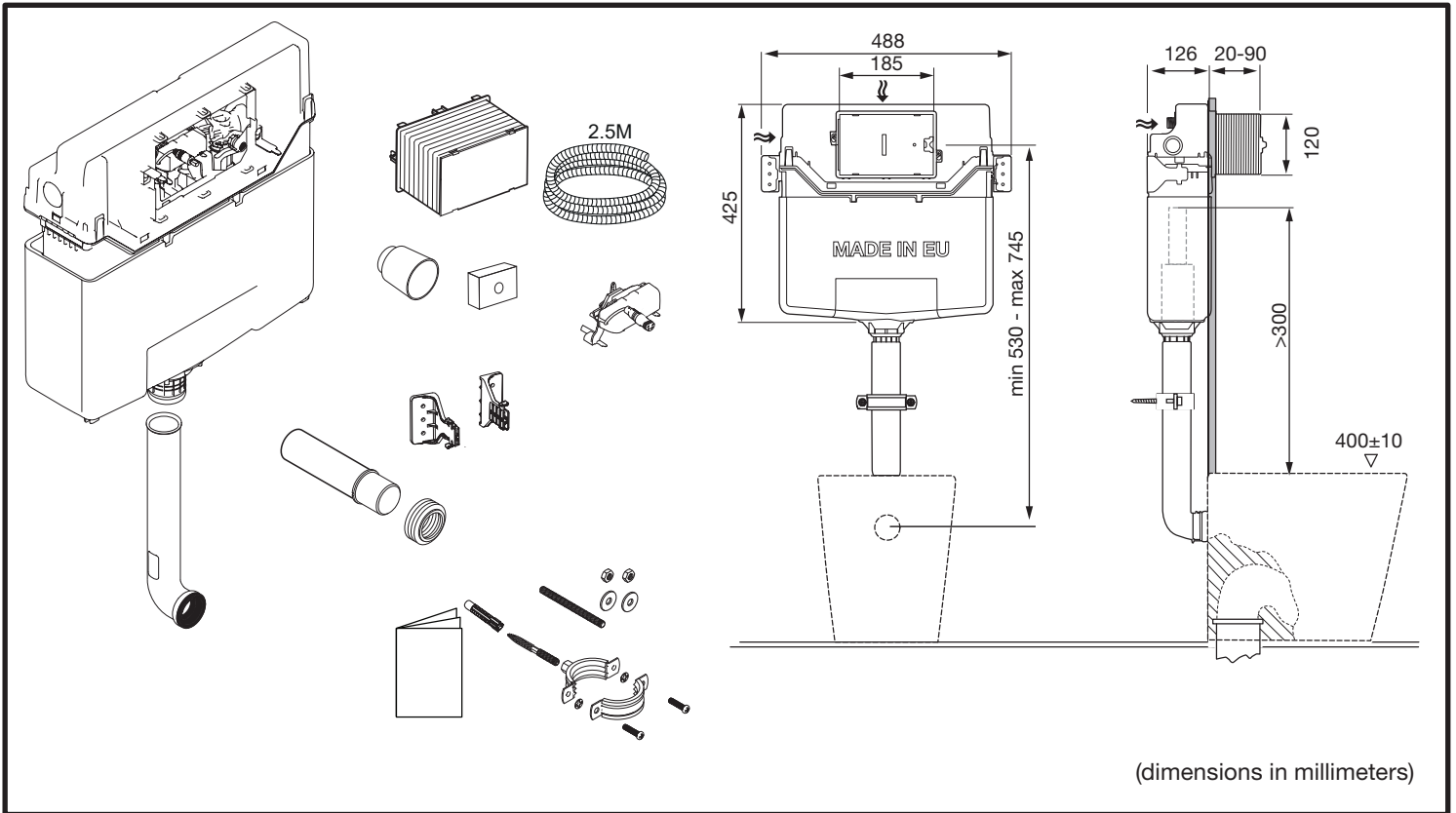
September 2022

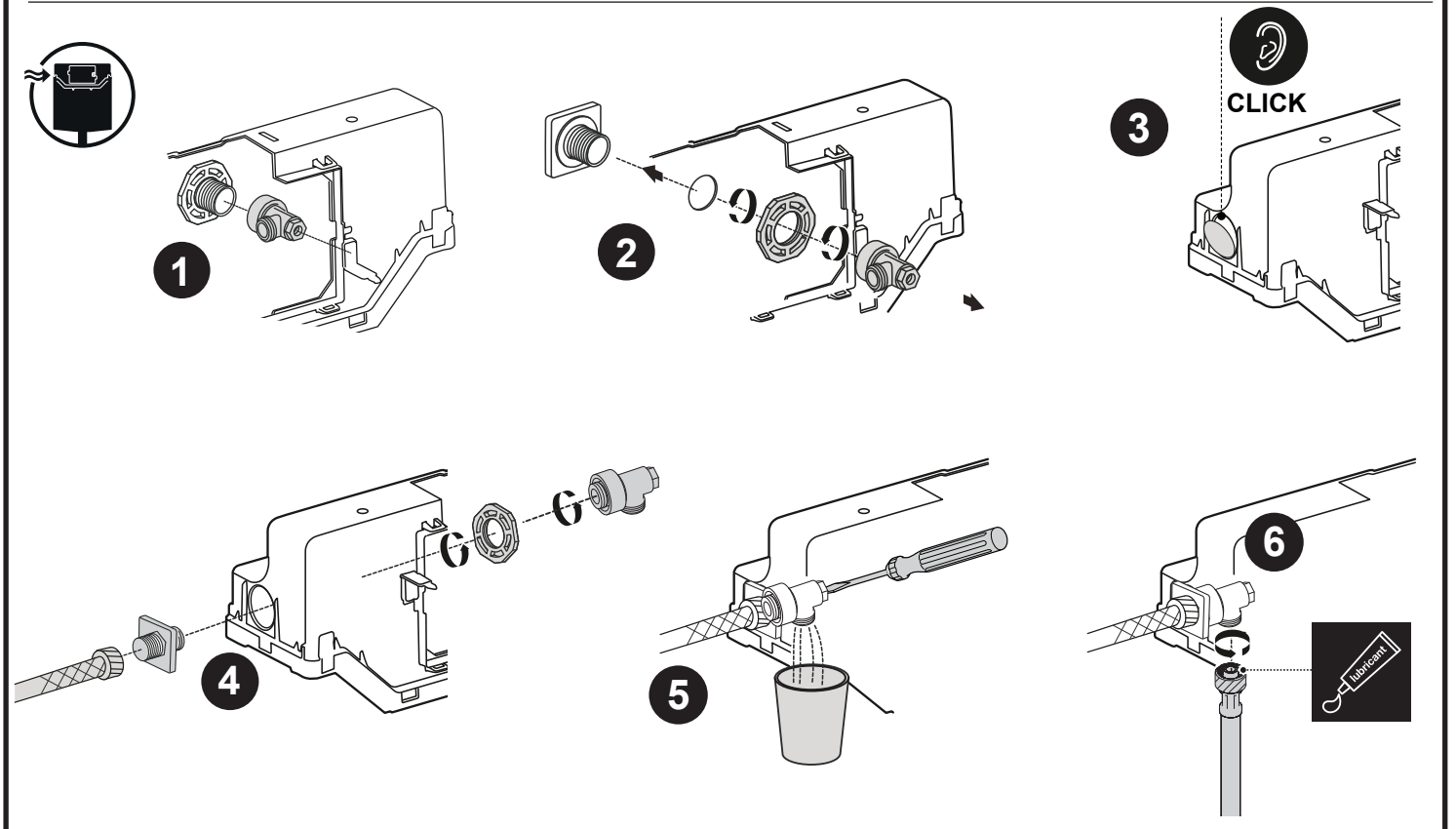
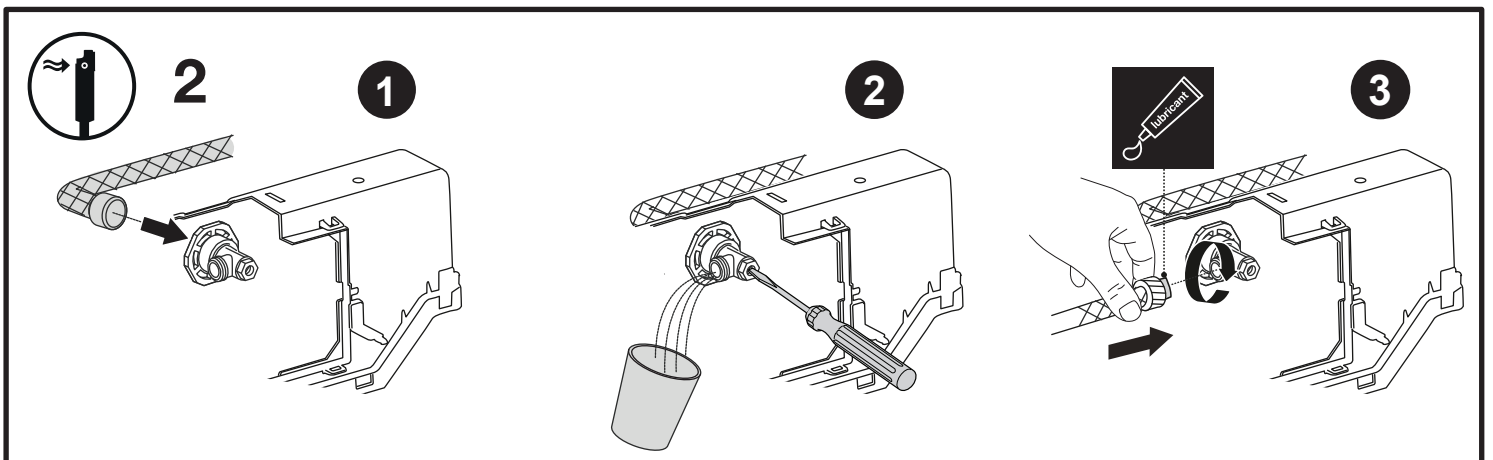
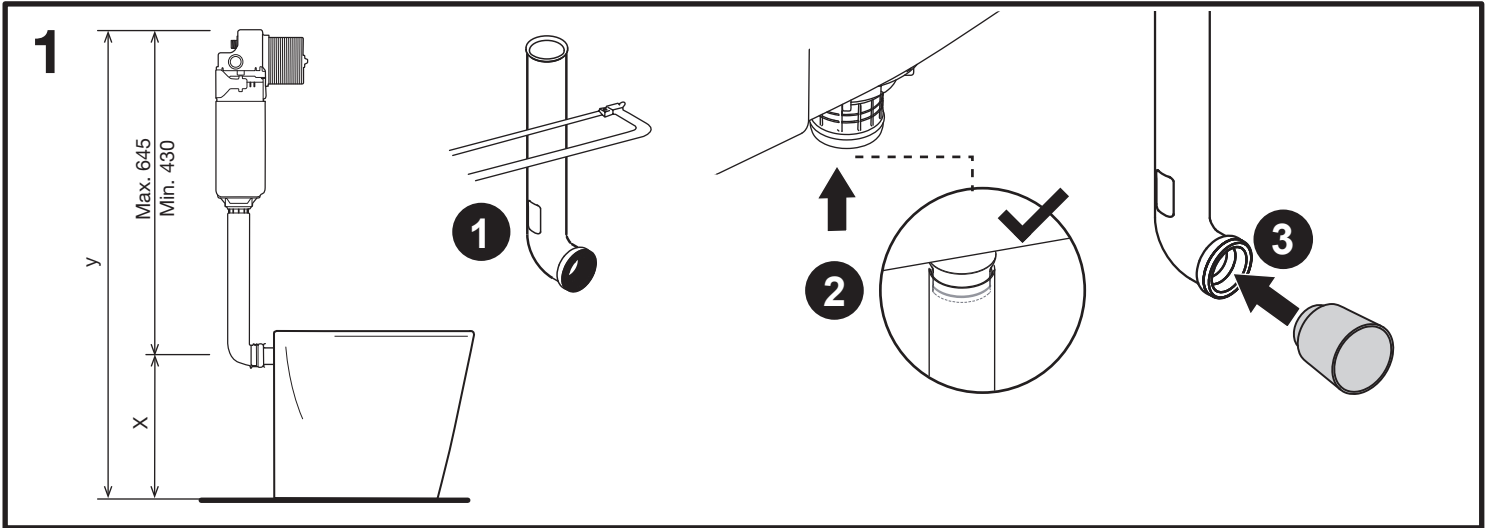

DOLPHIN
BLUE

PT INSTRUÇÕES DE MONTAGEM
DE MONTAGEANLEITUNG
GR ΟΔΗΓΙΕΣ ΣΥΝΑΡΜΟΛΟΓΗΣΗΣ
ES INSTRUCCIONES DE MONTAJE

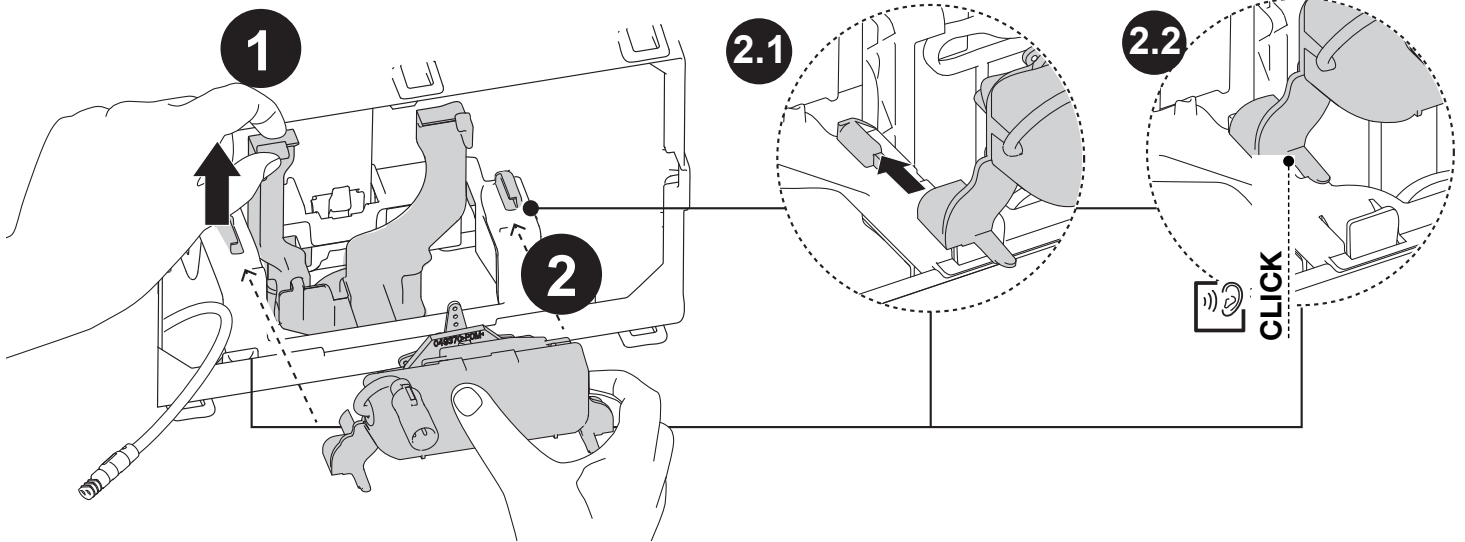
IT ISTRUZIONE DI MONTAGGIO
FR NOTICE DE MONTAGE
CZ MONTÁŽNÍ NÁVOD
RU ИНСТРУКЦИИ ПО МОНТАЖУ

GB ASSEMBLY INSTRUCTIONS
NL MONTAGE INSTRUCTIES
DK MONTAGE ANVISNING
NO MONTERINGSANVISNING

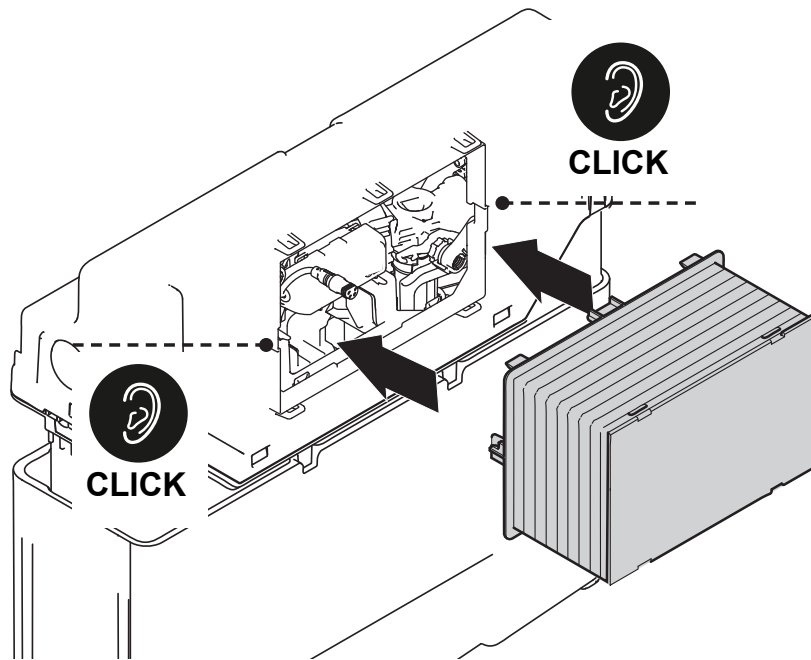




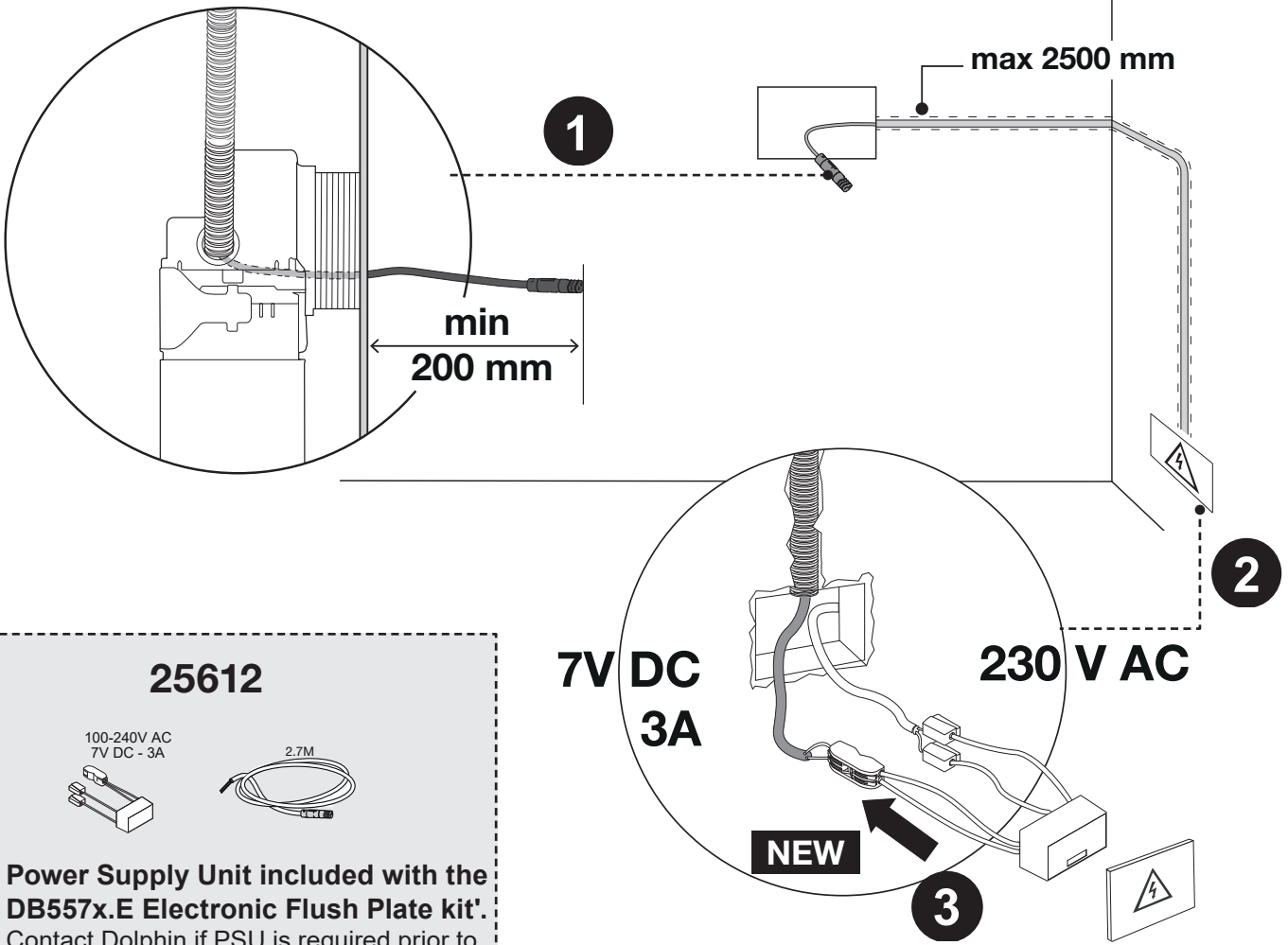
3



4



5

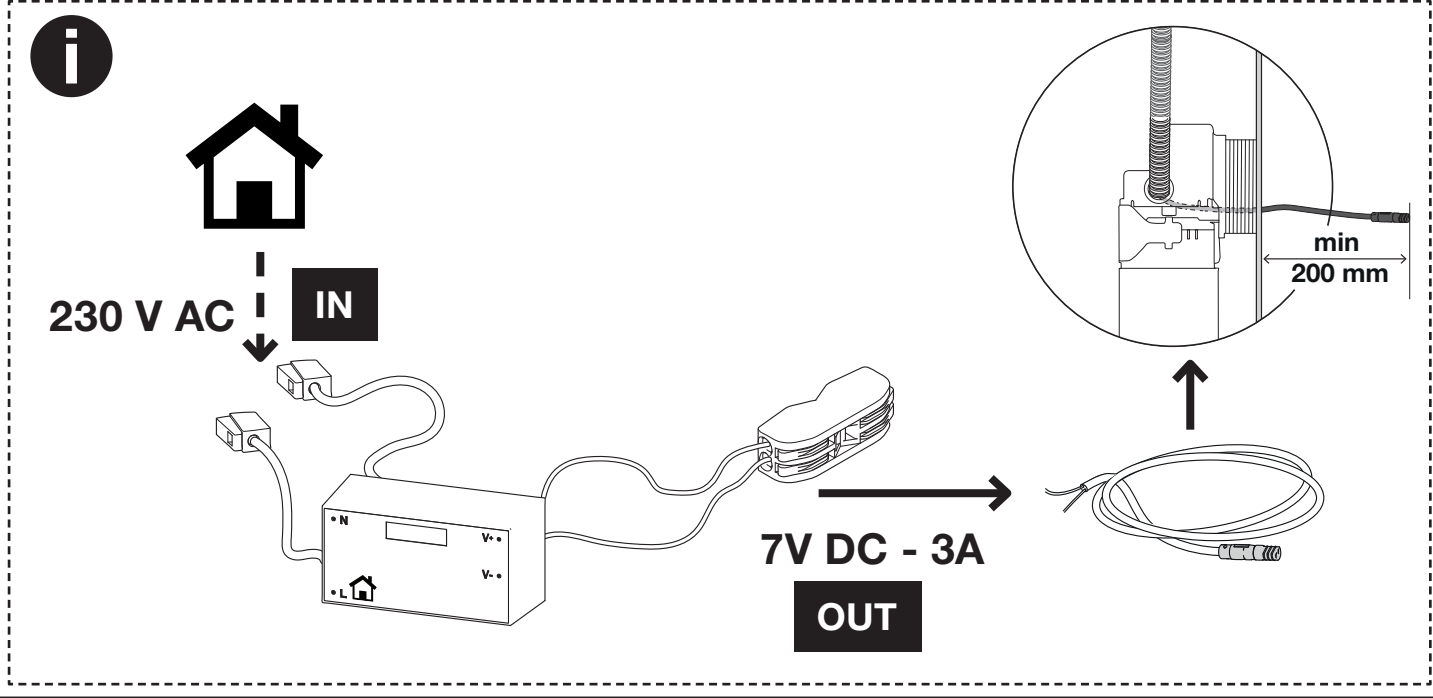


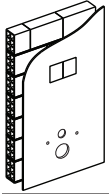
25612

100-240V AC
7V DC - 3A

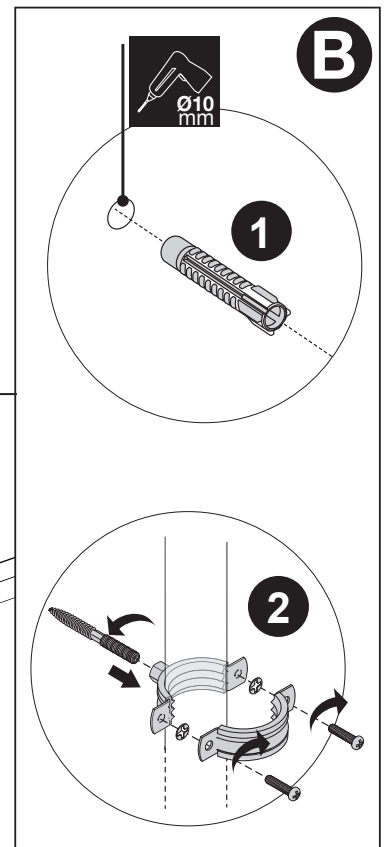
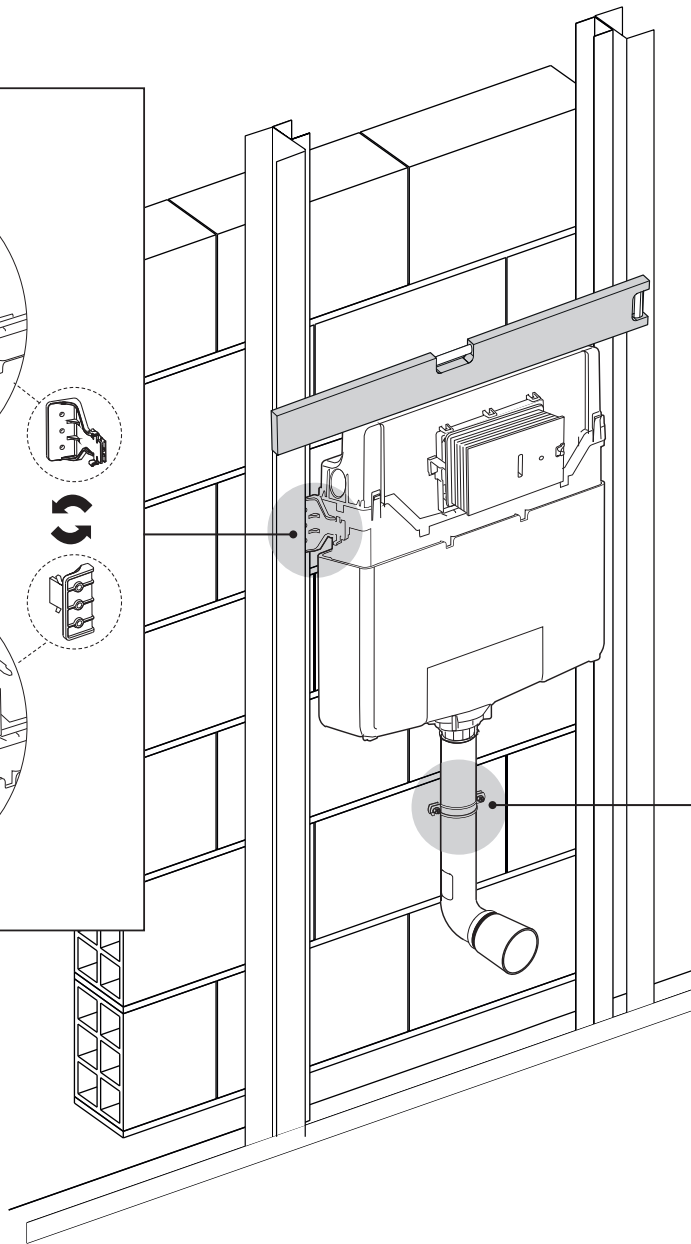
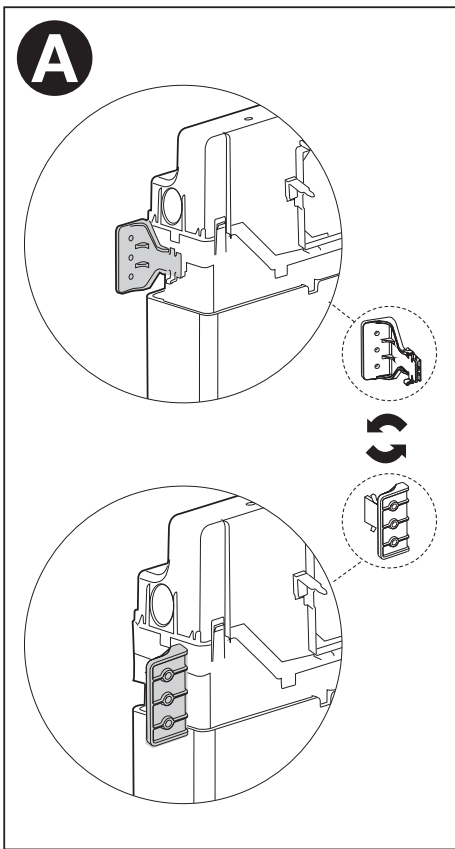
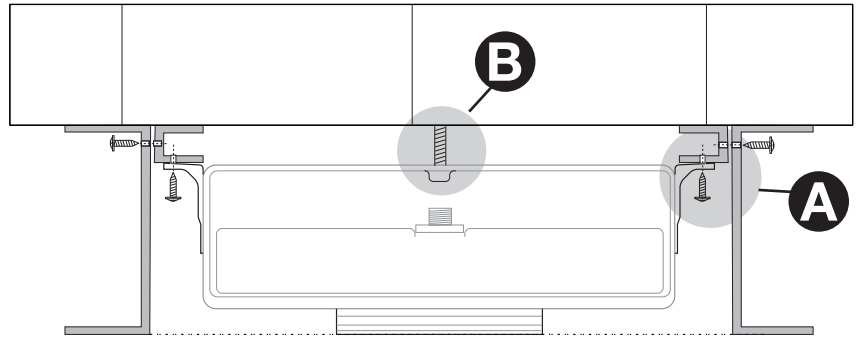
2.7M

Power Supply Unit included with the DB557x.E Electronic Flush Plate kit'. Contact Dolphin if PSU is required prior to receiving the Flush Plate

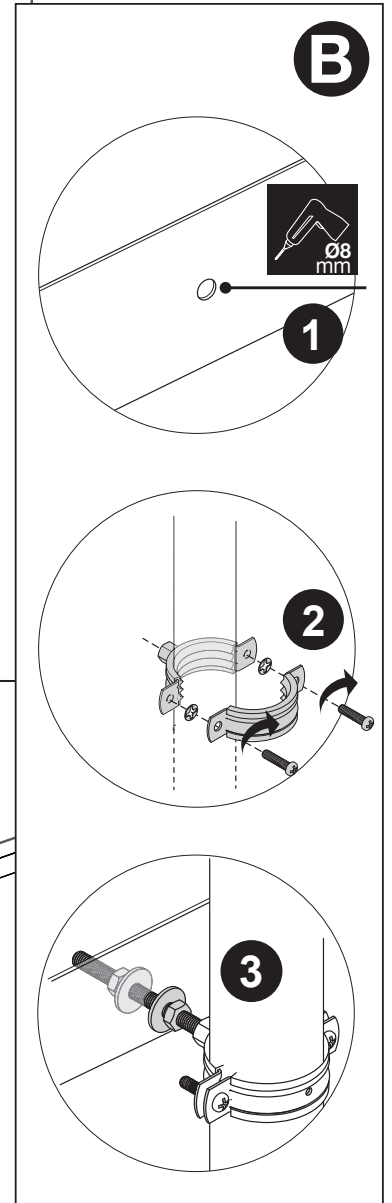
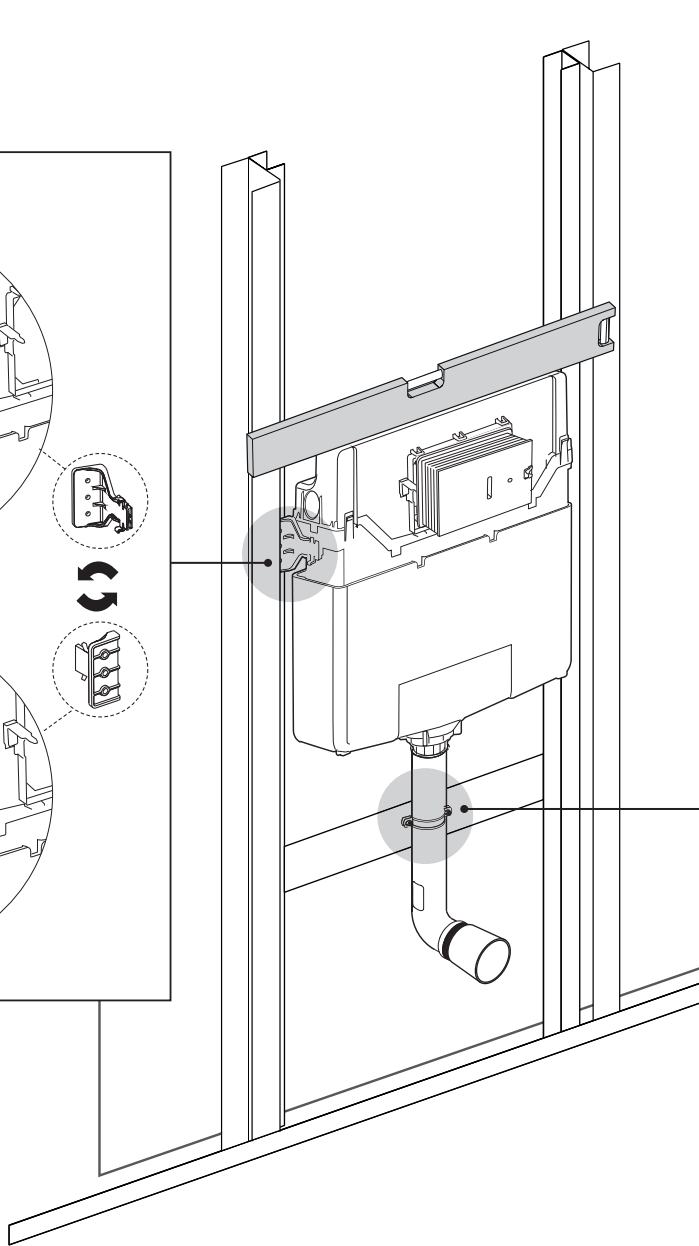
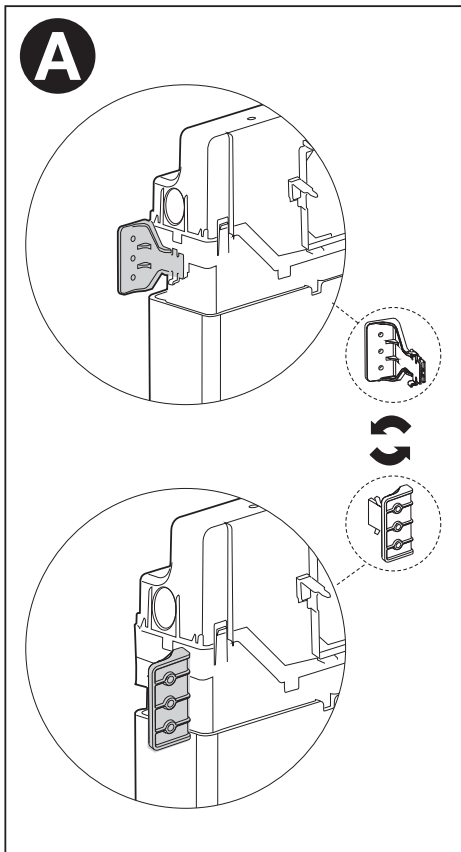
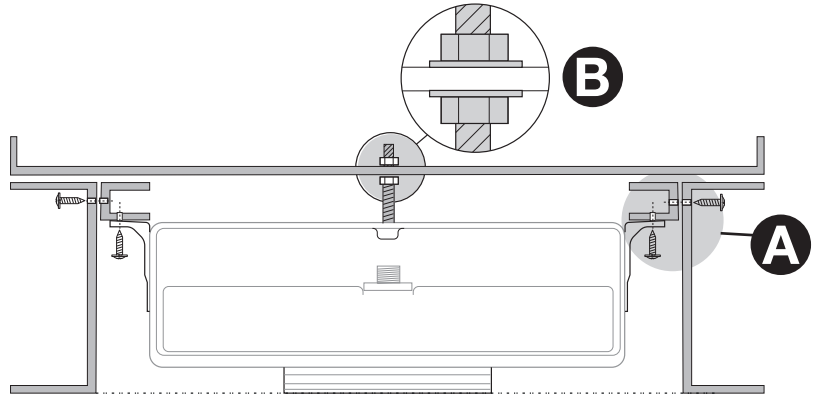
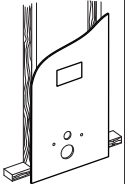




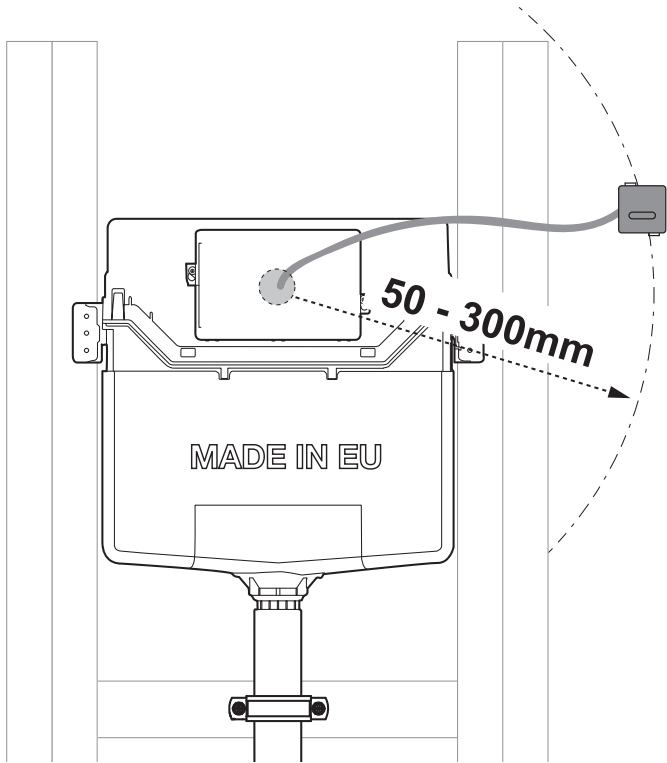
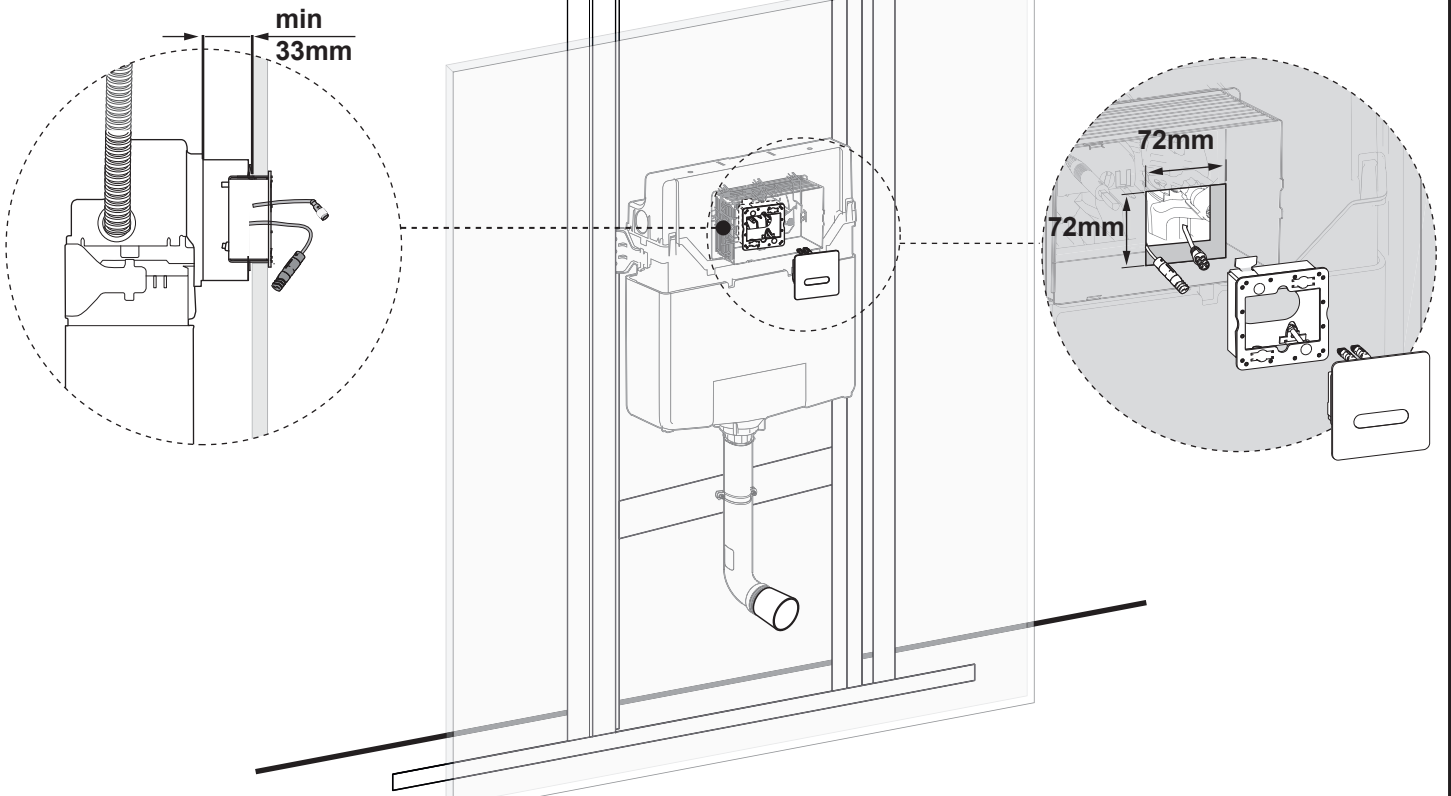
6.1



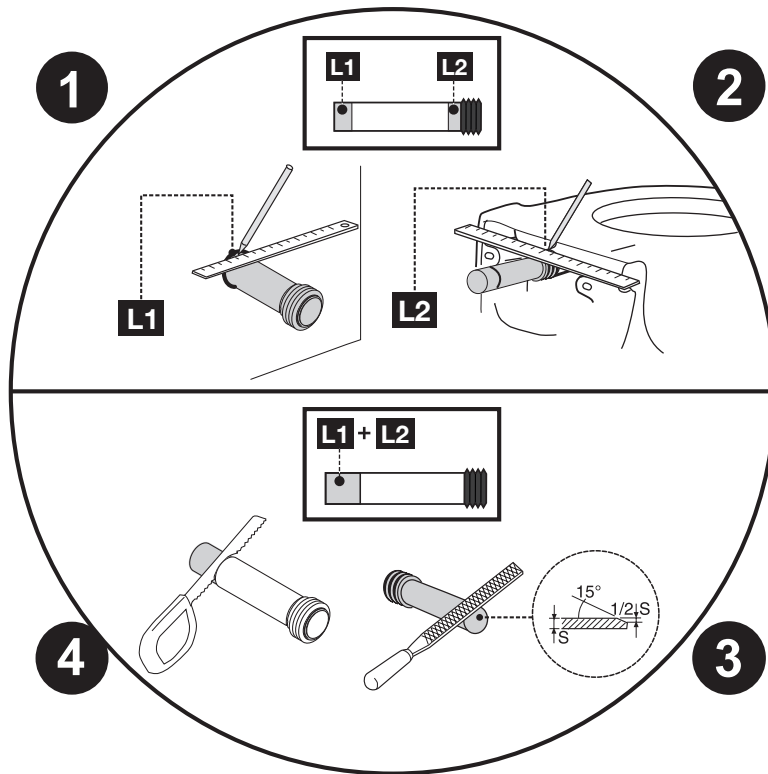
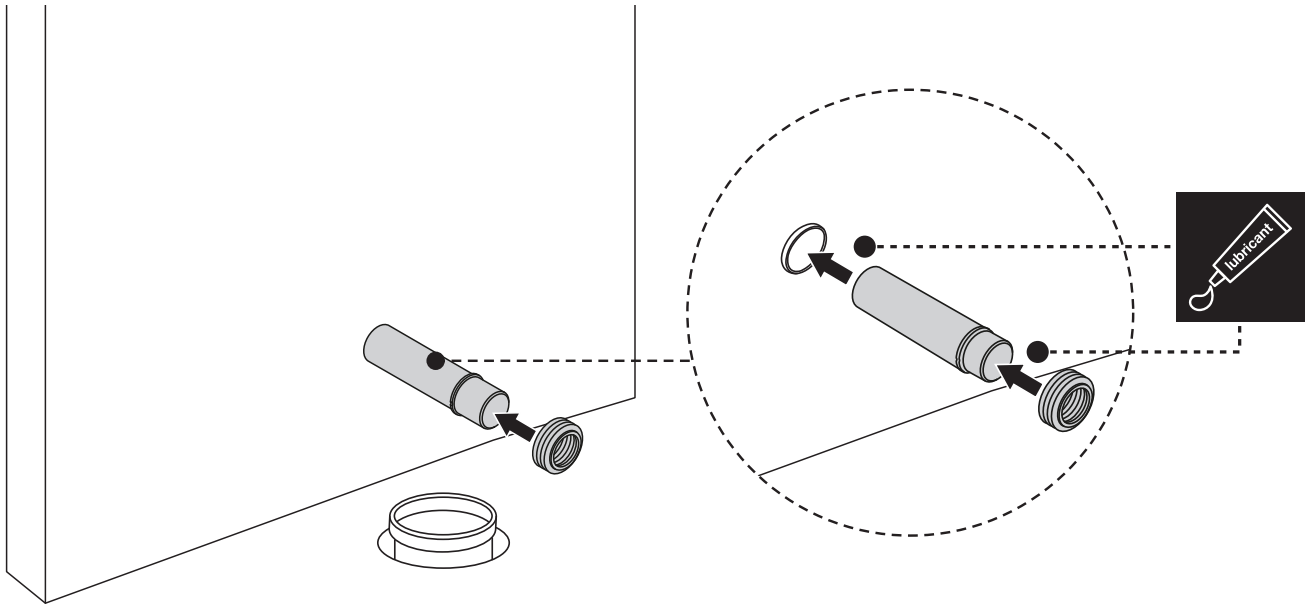
6.2

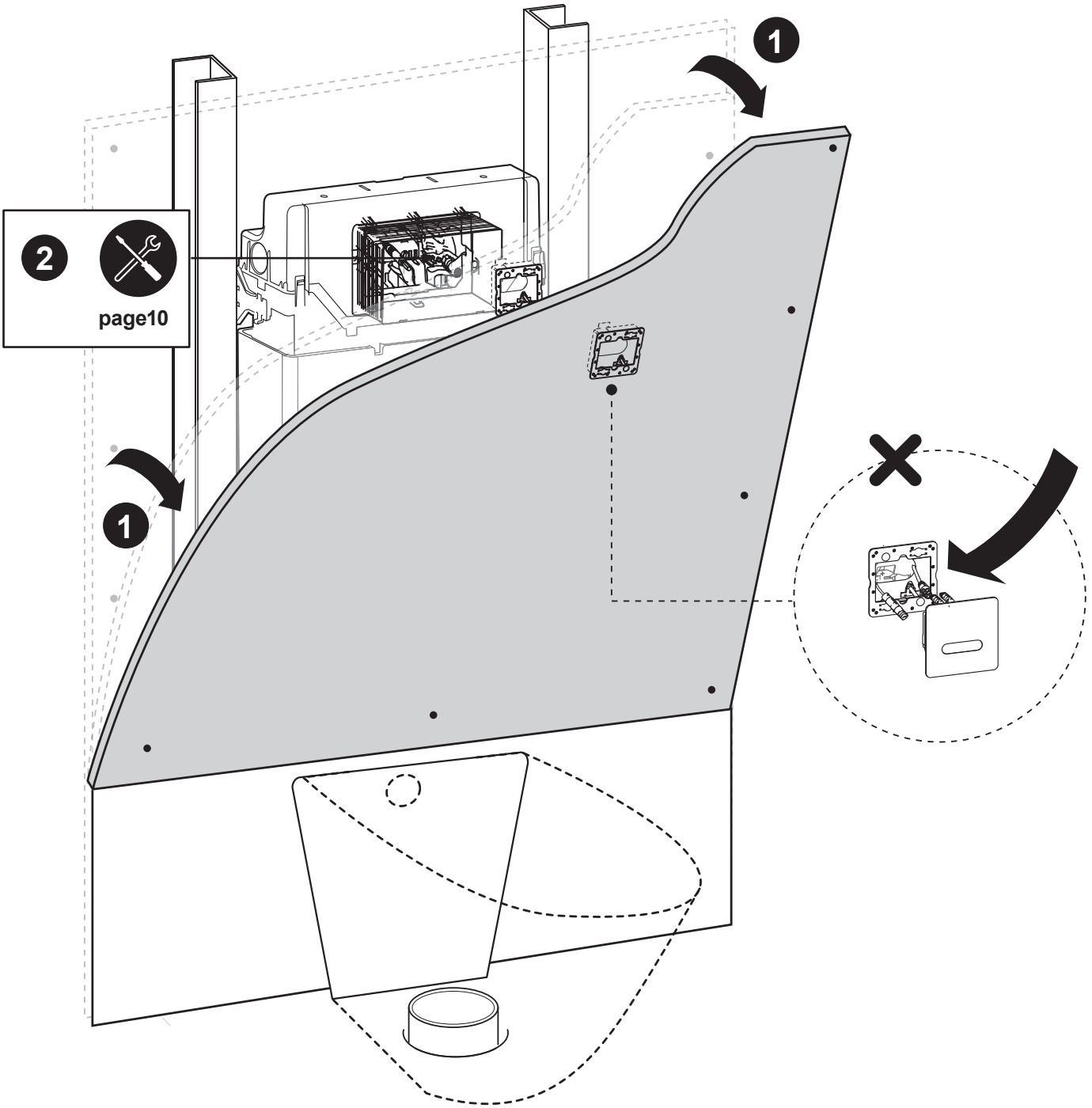


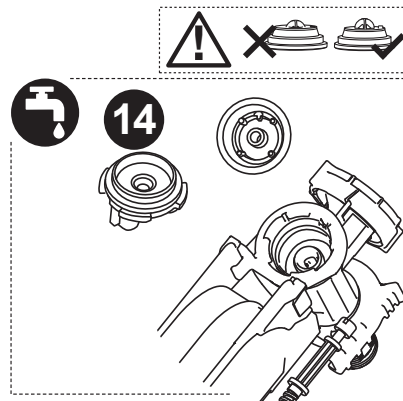
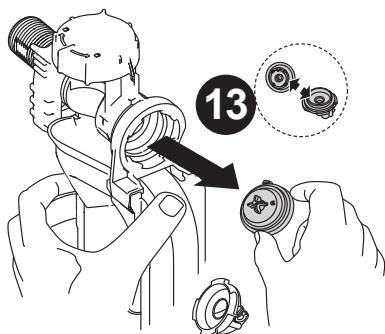
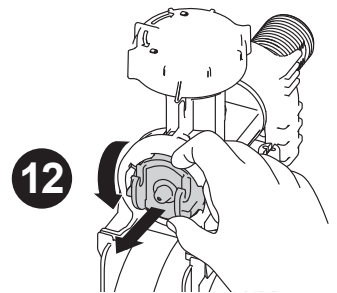
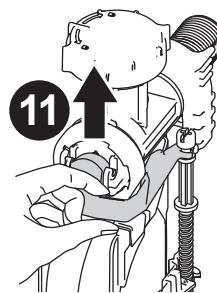
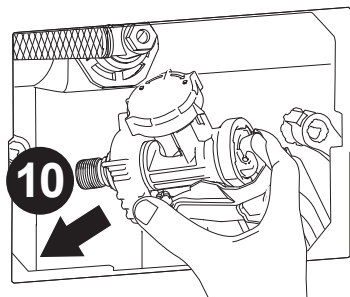
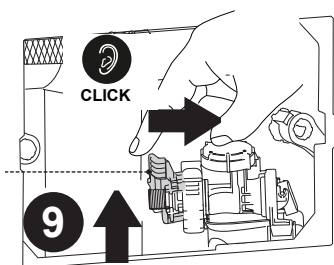
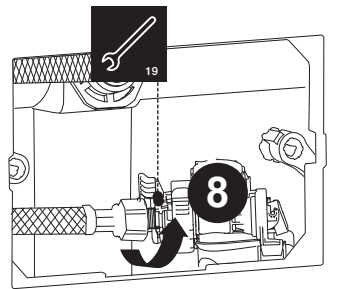
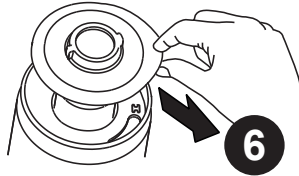
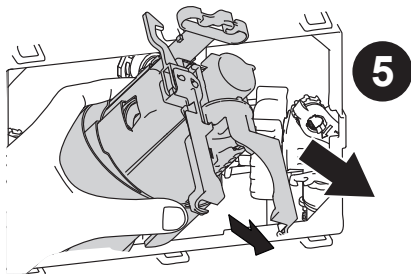
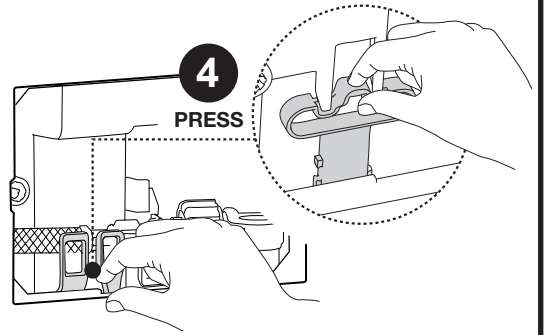
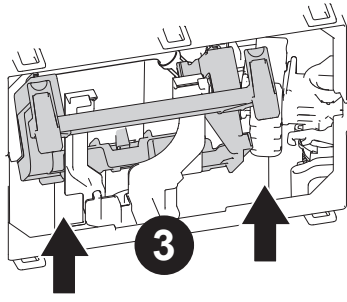
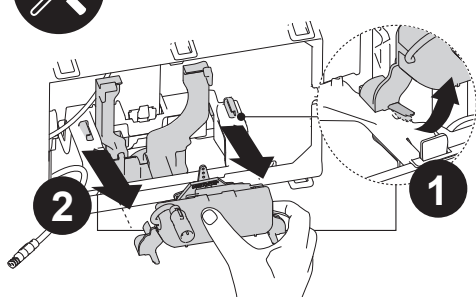
7.1



8

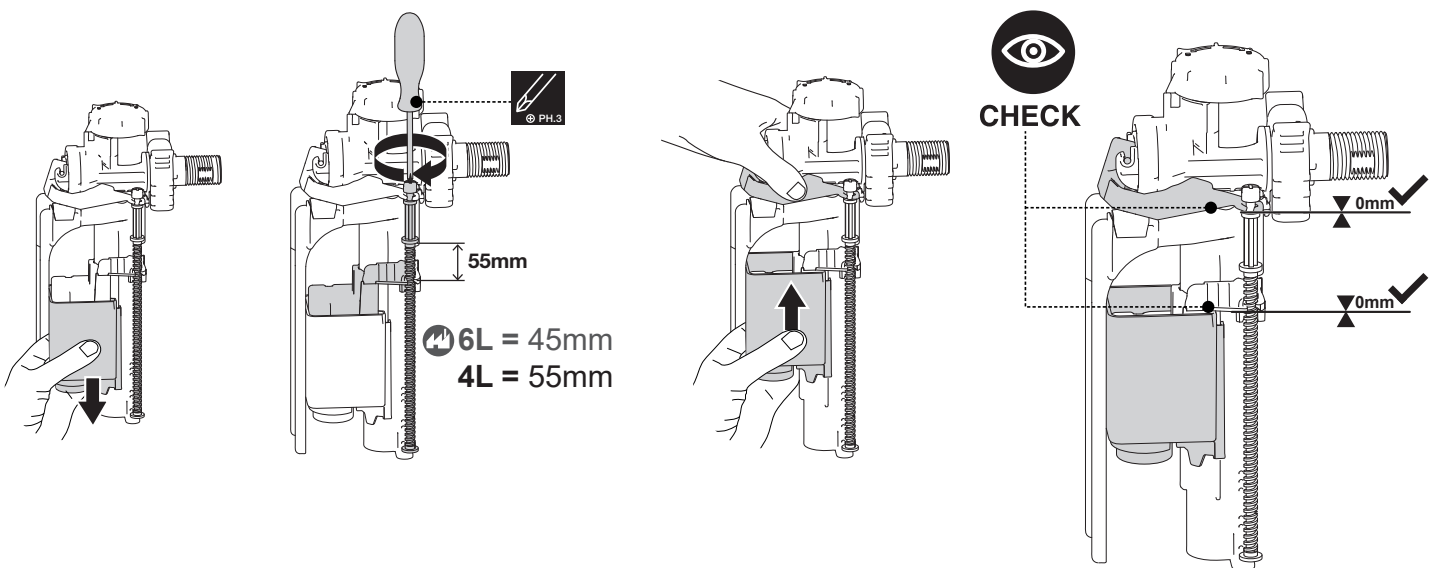
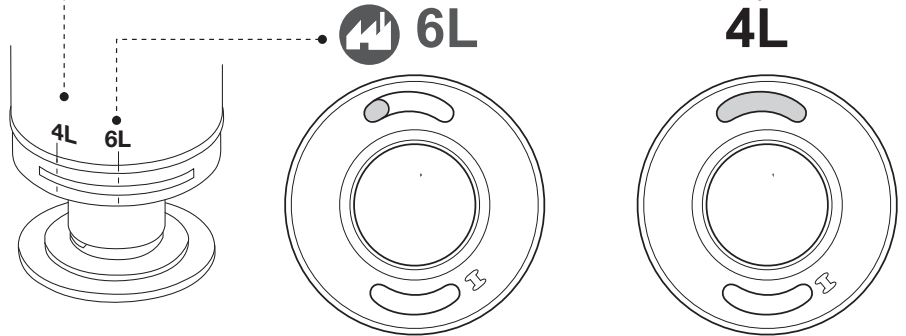
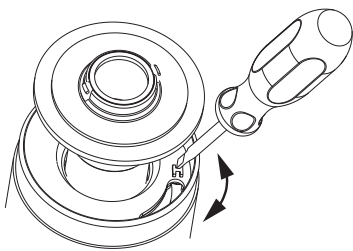
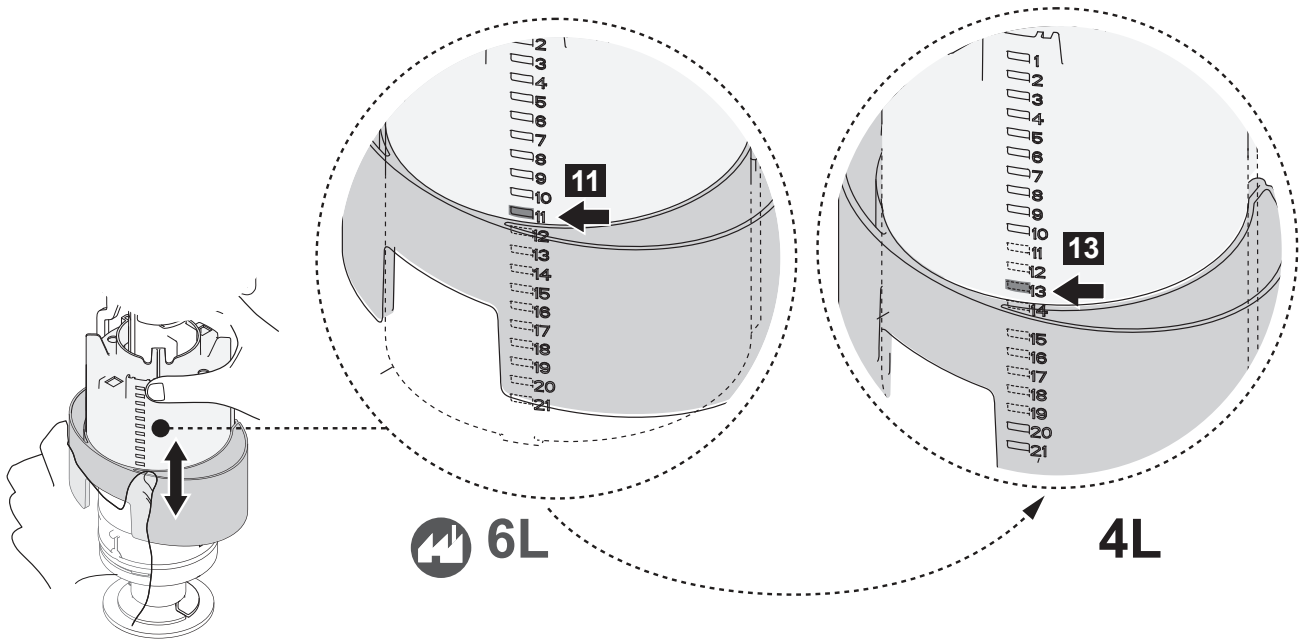






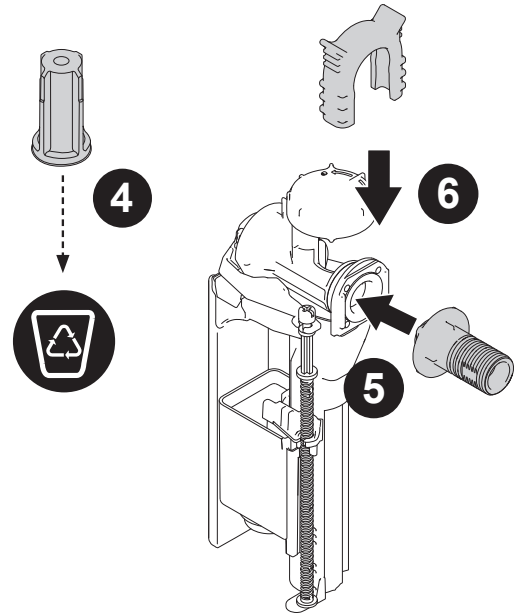
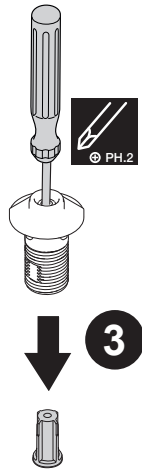
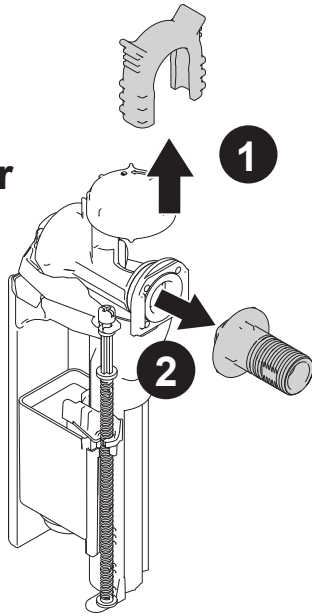
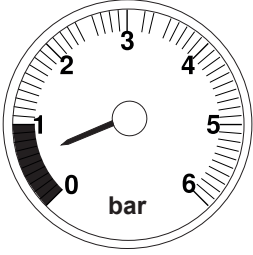


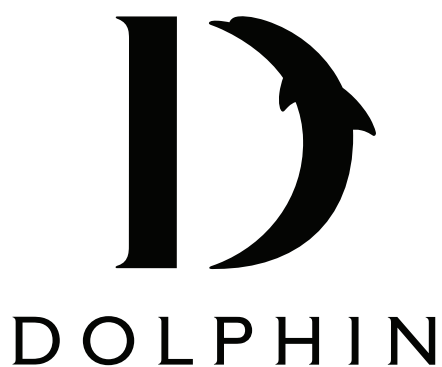
 **6L** → **4L**





Pressure < 1 bar





Dolphin Solutions Ltd

Southpoint, Compass Park, Bodiam,
Robertsbridge, TN32 5BS

Tel: +44 (0)1424 20 22 24

Fax: +44 (0)1424 205 200

info@dolphinsolutions.co.uk

www.dolphinsolutions.co.uk