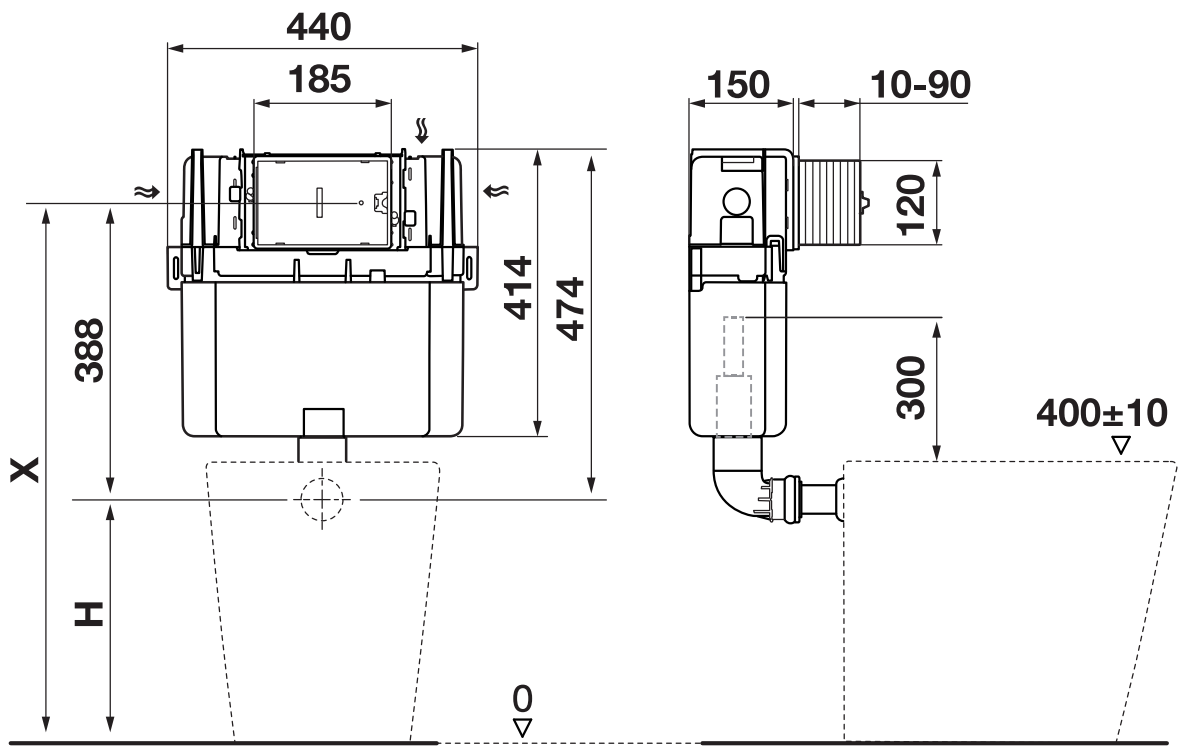
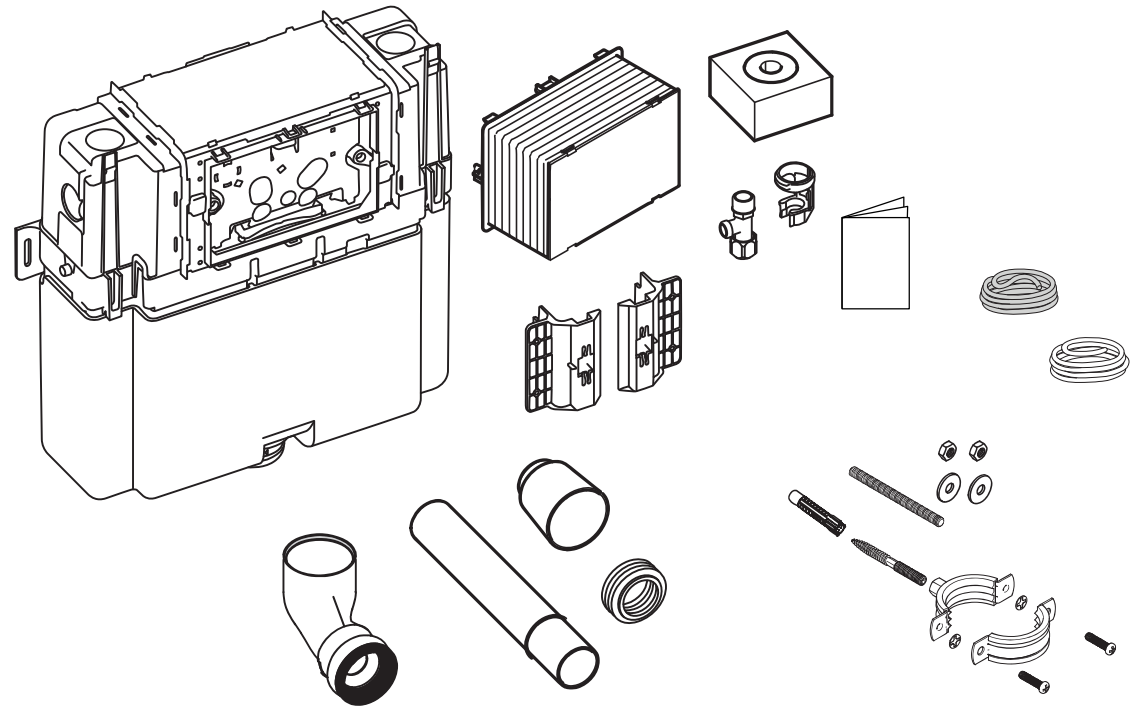


PT INSTRUÇÕES DE MONTAGEM
 DE MONTAGEANLEITUNG
 GR ΟΔΗΓΙΕΣ ΣΥΝΑΡΜΟΛΟΓΗΣΗΣ
 ES INSTRUCCIONES DE MONTAJE

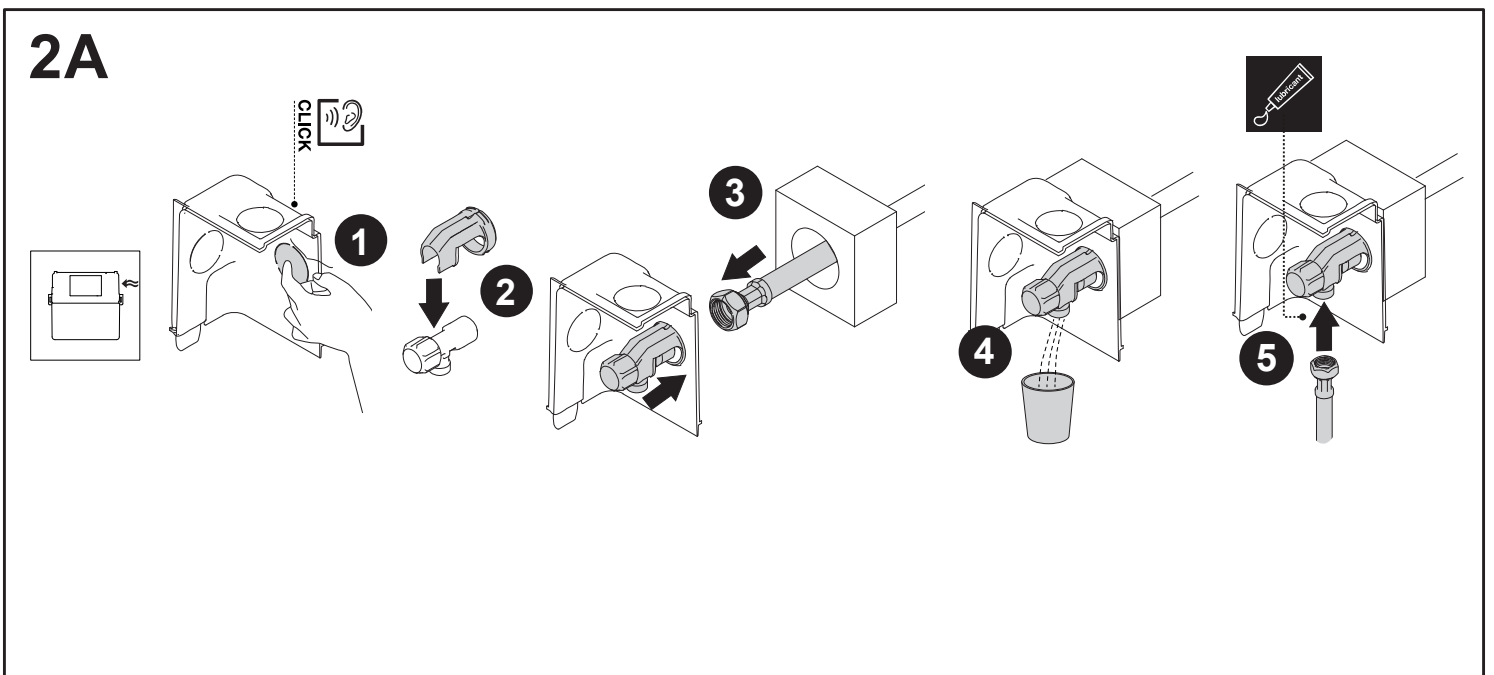
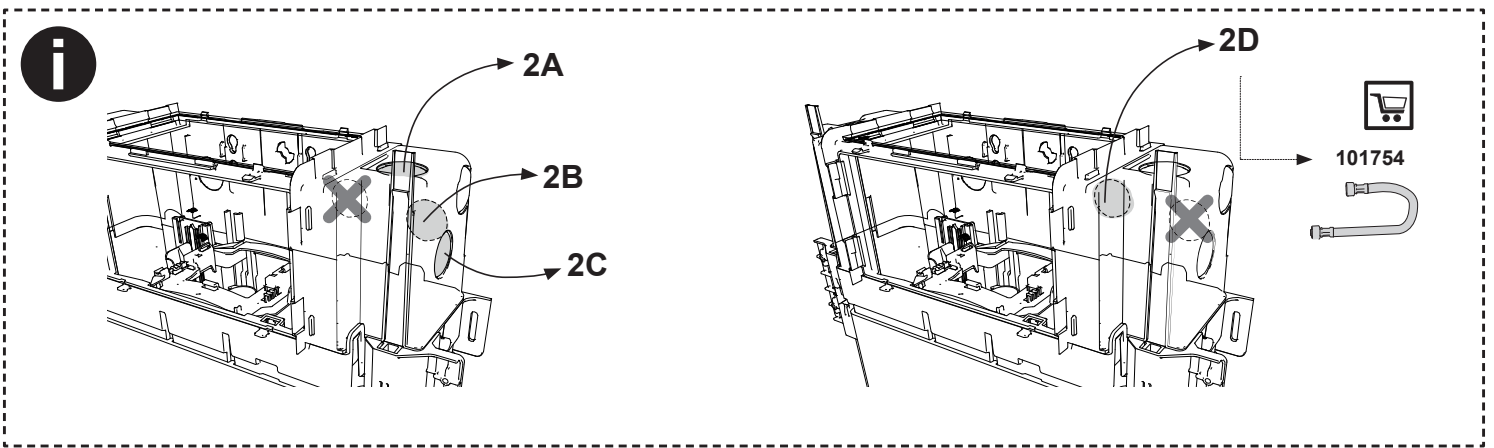
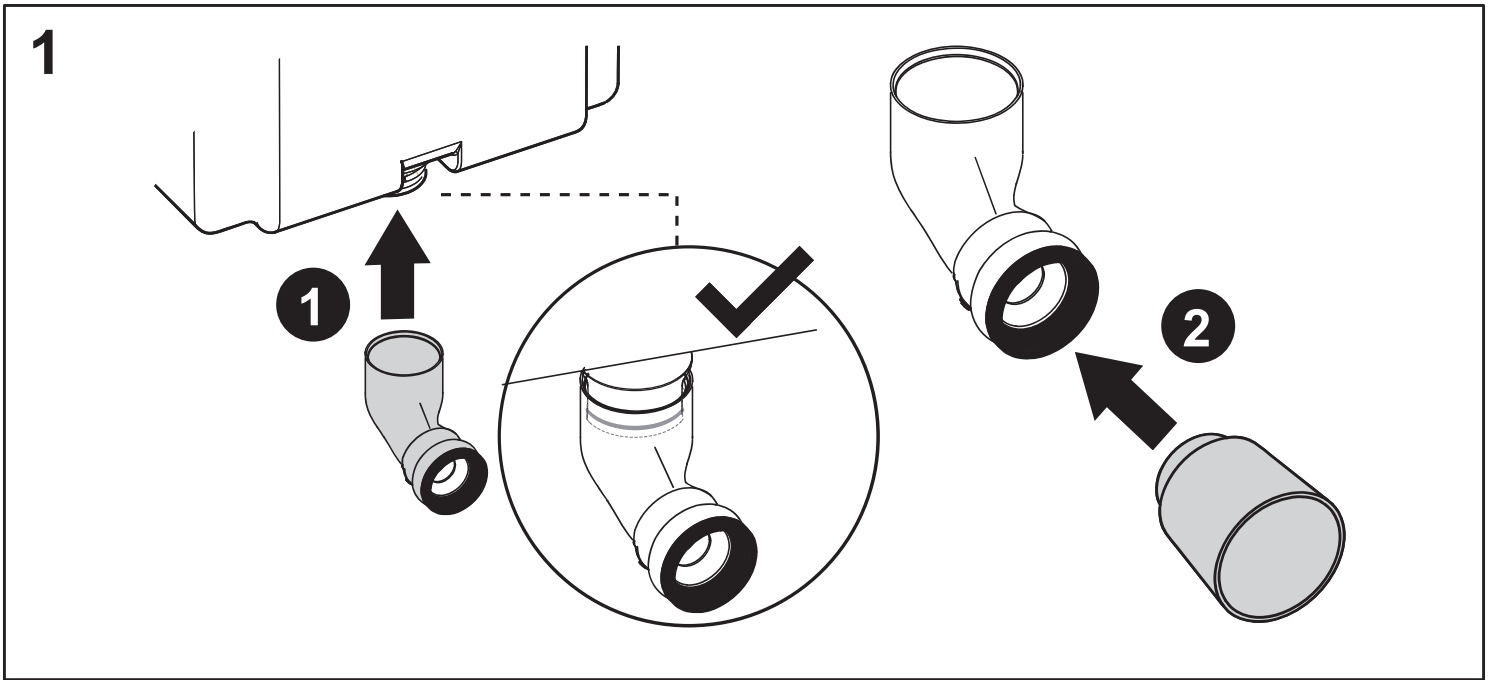
IT ISTRUZIONE DI MONTAGGIO
 FR NOTICE DE MONTAGE
 CZ MONTÁŽNÍ NÁVOD
 RU ИНСТРУКЦИИ ПО МОНТАЖУ

GB ASSEMBLY INSTRUCTIONS
 NL MONTAGE INSTRUCTIES
 DK MONTAGE ANVISNING
 NO MONTERINGSANVISNING

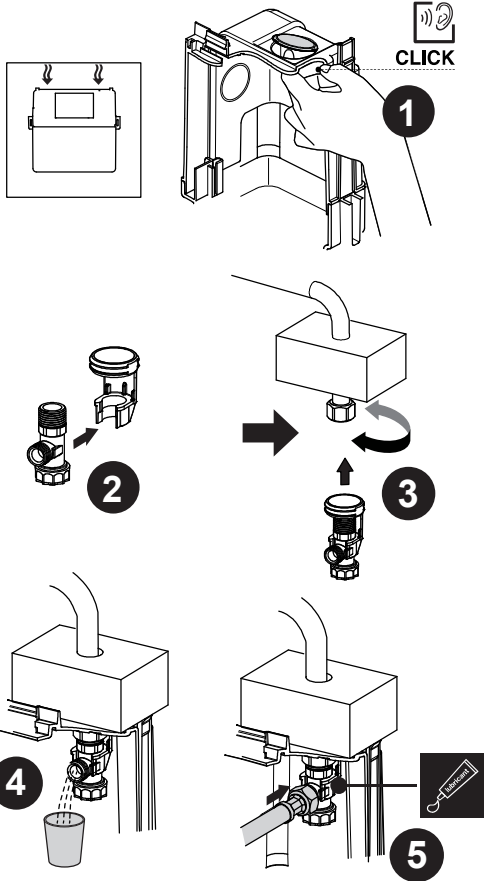


(dimensions in millimeters)

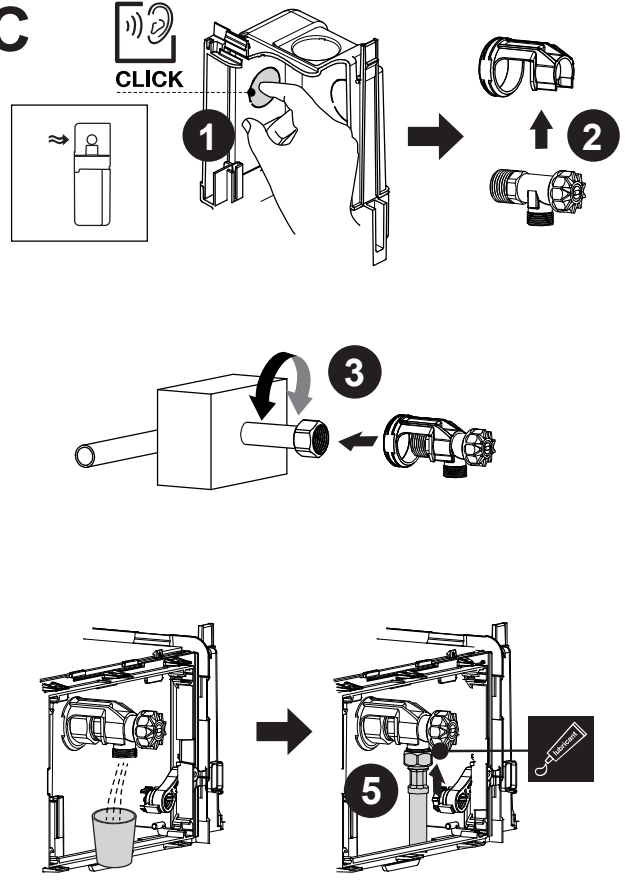
X = 388mm + H which is dependent on WC bowl (Min 320 Max 360mm)



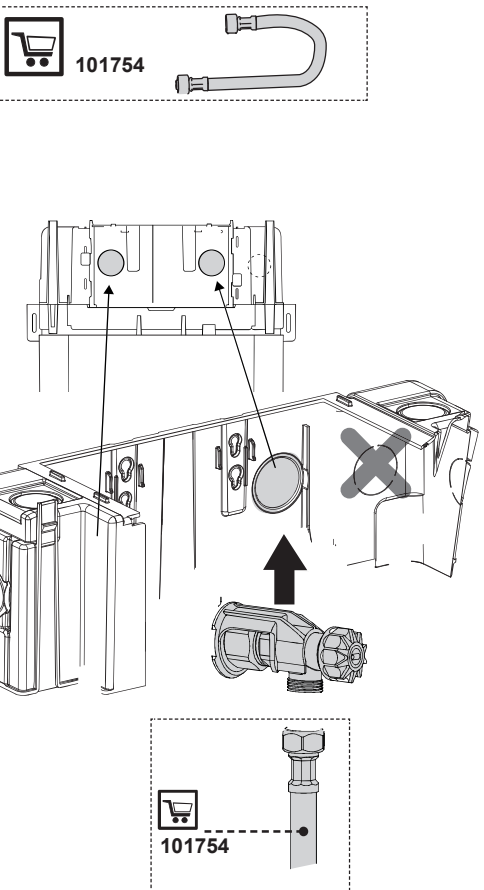
2B



2C

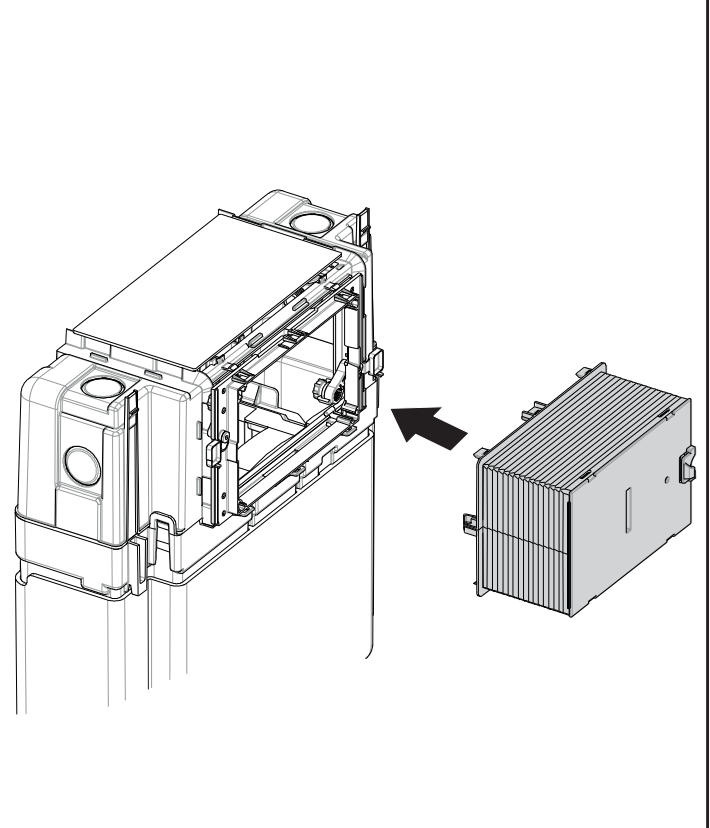


2D

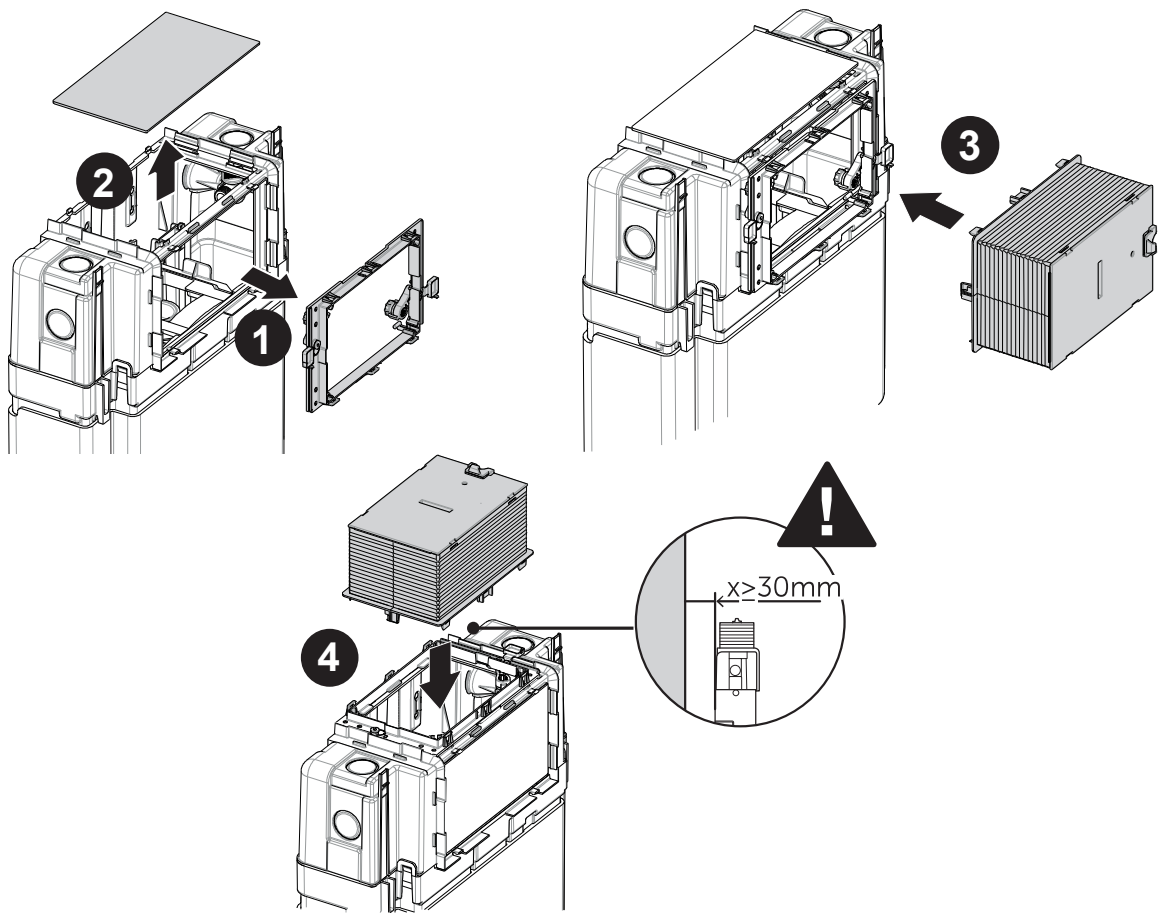


3

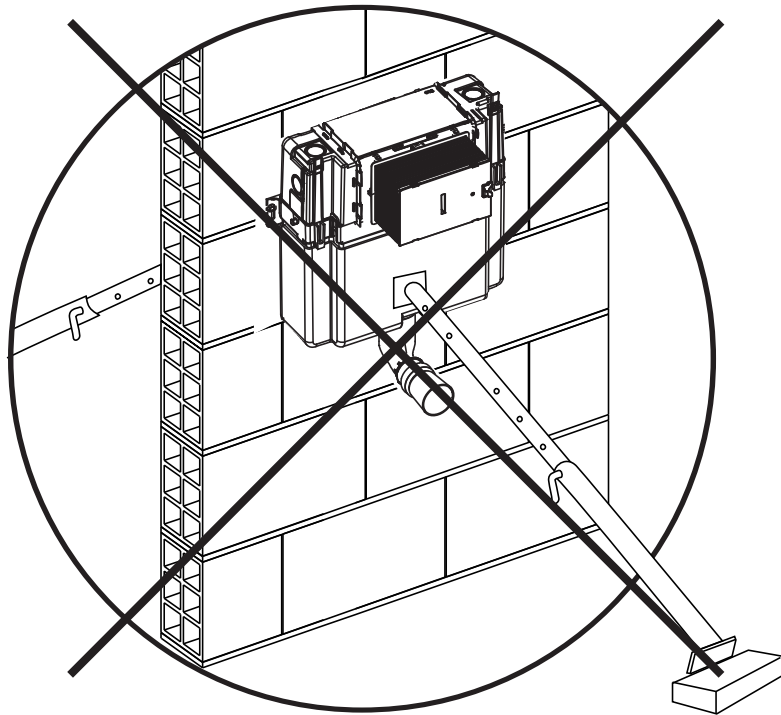
FRONT

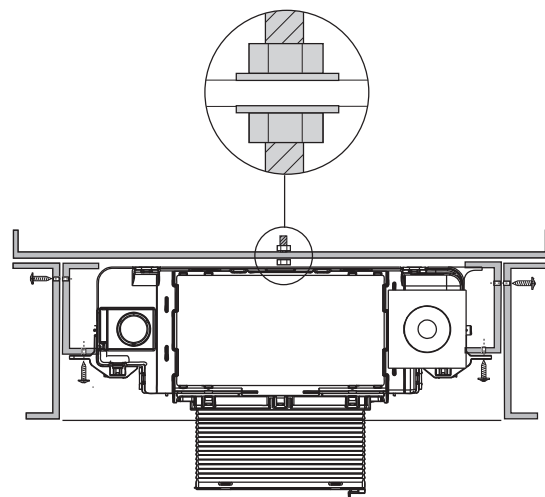
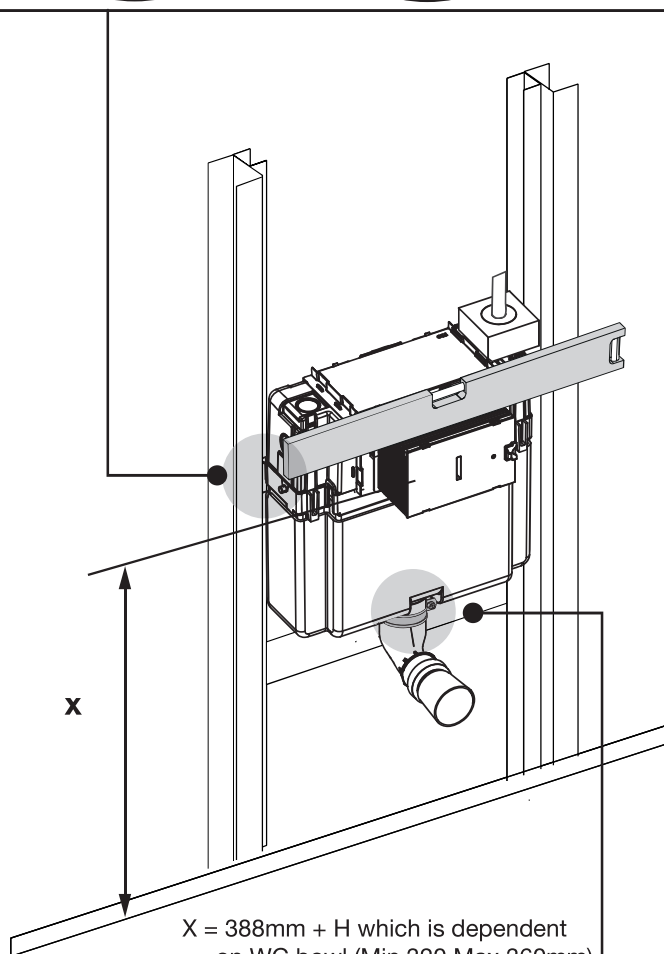
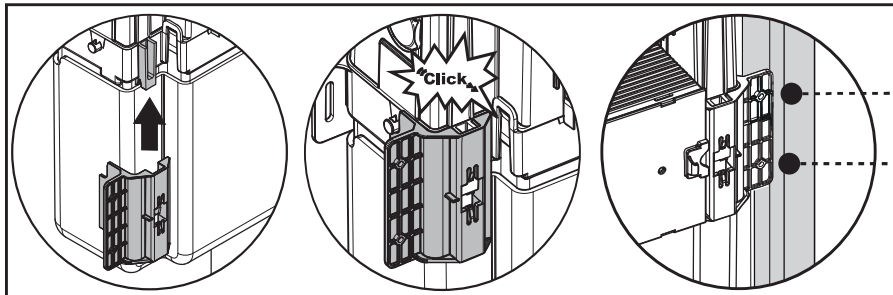
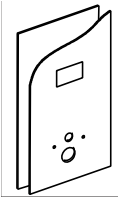


3 TOP



i





$X = 388\text{mm} + H$ which is dependent on WC bowl (Min 320 Max 360mm)

